



ASM 310, universal voltage

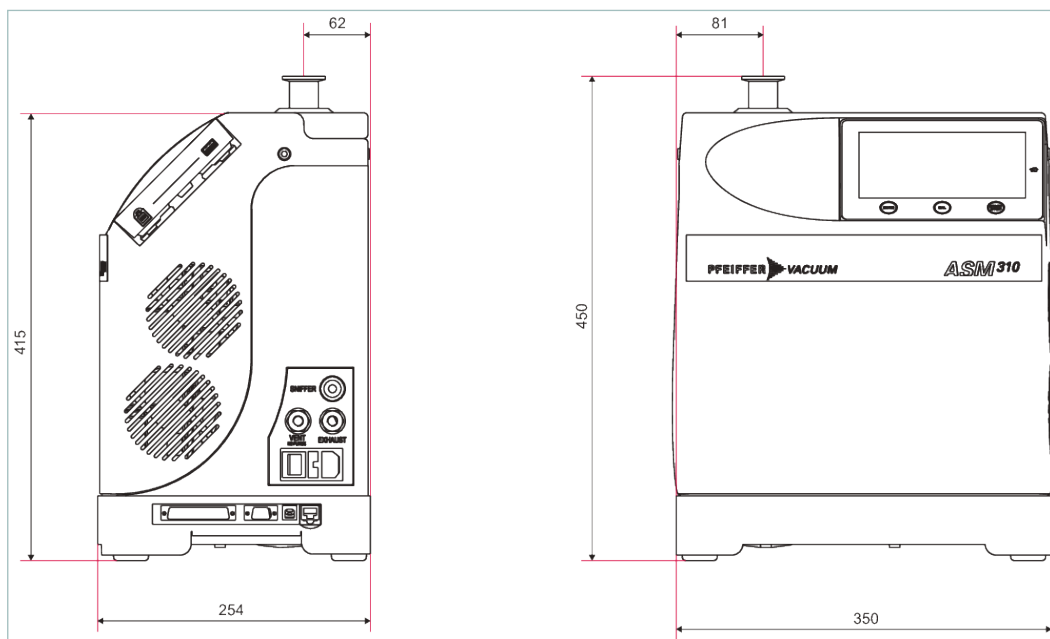


Similar Image

ASM 310, universal voltage

- Oil free pumping system, roughing capacity 1.7 m³/h
- Ultralight, only 21 kg (46 lbs) and easy to move
- Large bright color touchscreen with graphics functionality
- Intuitive and customizable menu
- Recording capacities with data export through dedicated USB port

Dimensions



Technical Data	ASM 310, universal voltage
Backing pump	with oil free backing pump
Backing pump capacity	1.7 m ³ /h 1 cfm 28.33 l/min
Connection flange (in)	DN 25 ISO-KF
Detectable gases	⁴ He, ³ He, H ₂
Dimensions (L x W x H)	350 x 254 x 415 mm 13.78 x 10 x 16.34 inch
I/O interfaces	RS-232
Interface: Connection, device side	Standard 15 pins I/O
Minimum detectable leakage rate for helium (sniffing leak detection)	1 · 10 ⁻⁸ Pa m ³ /s 7.5 · 10 ⁻⁸ Torr l/s 1 · 10 ⁻⁷ mbar l/s
Minimum detectable leakage rate for helium (vacuum leak detection)	1 · 10 ⁻¹³ Pa m ³ /s
Operating temperature	10-40 °C 50-104 °F 283-313 K
Power consumption max.	300 W
Pumping speed for He	1.1 l/s
Response time (sniffing leak detection)	< 1 s
Sound power	45 dB(A)
Sound pressure level	<45 dB(A)
Start-up time (20°C) with calibration	3.5 min
Start-up time (20°C) without calibration	2 min
Supply	90 – 240 V, 50/60 Hz
Test method	Vacuum and sniffing leak detection
User interface	Graphic color touch screen (detachable)
Weight	21 kg 46.3 lb

Order number	
ASM 310	BSAA0200MM9A

Accessories	
Cables Mains cables / Power cords	
Mains cable, 2.5 m, Switzerland	103718
Mains cable, 2.5 m, U.K.	104411
Mains cable, 2 m, Italy	104758
Control Devices Remote controls	
Remote control RC 10, wired/wireless, for ASM and ASI leak detectors	124193
Sniffing/Spraying Helium pistols/ spray guns	
Helium spray gun "Elite", spray gun with additional accessories in a case	109951
Helium spray gun, standard	112535
Sniffing/Spraying Sniffer probes	
Sniffer probe, 5 m hose length and rigid 9 cm nozzle	SNC1E1T1
Sniffer probe, 10 m hose length, rigid 9 cm nozzle	SNC2E1T1
Transport Transportation accessories	
Trolley with two wheels	114820
Transport case to safeguard the ASM 310 against shipping damage	119594

VACUUM SOLUTIONS FROM A SINGLE SOURCE

Pfeiffer Vacuum stands for innovative and custom vacuum solutions worldwide, technological perfection, competent advice and reliable service.

COMPLETE RANGE OF PRODUCTS

From a single component to complex systems:

We are the only supplier of vacuum technology that provides a complete product portfolio.

COMPETENCE IN THEORY AND PRACTICE

Benefit from our know-how and our portfolio of training opportunities!

We support you with your plant layout and provide first-class on-site service worldwide.

Are you looking for a
perfect vacuum solution?
Please contact us:

Pfeiffer Vacuum GmbH
Headquarters · Germany
T +49 6441 802-0
info@pfeiffer-vacuum.de

www.pfeiffer-vacuum.com

All data subject to change without prior notice.

PFEIFFER  **VACUUM**