



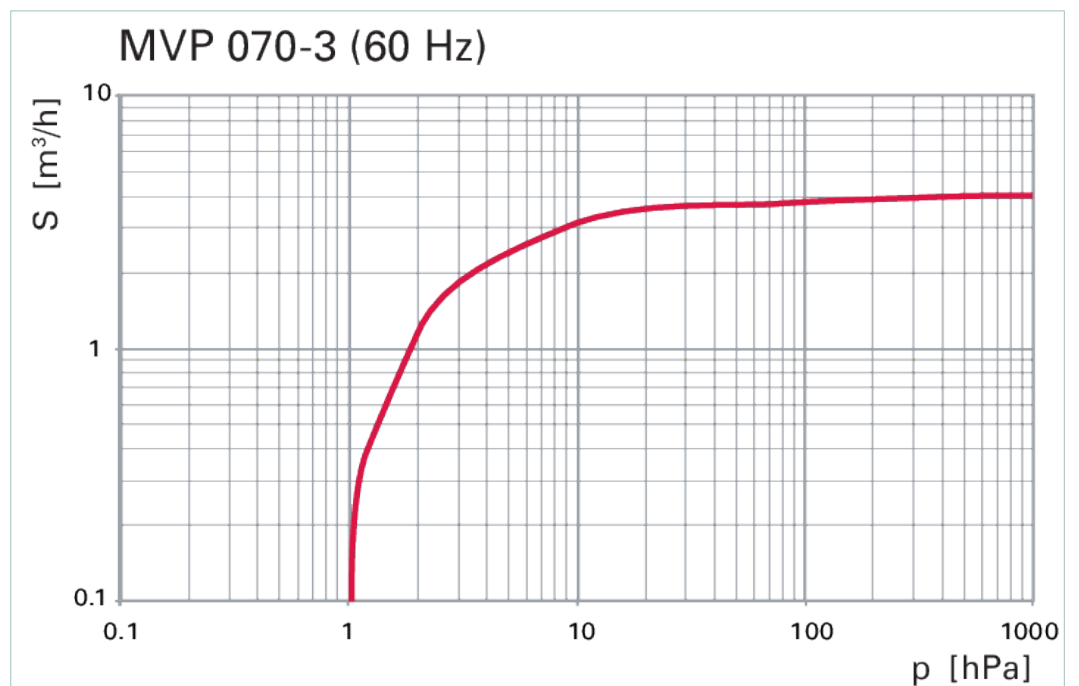
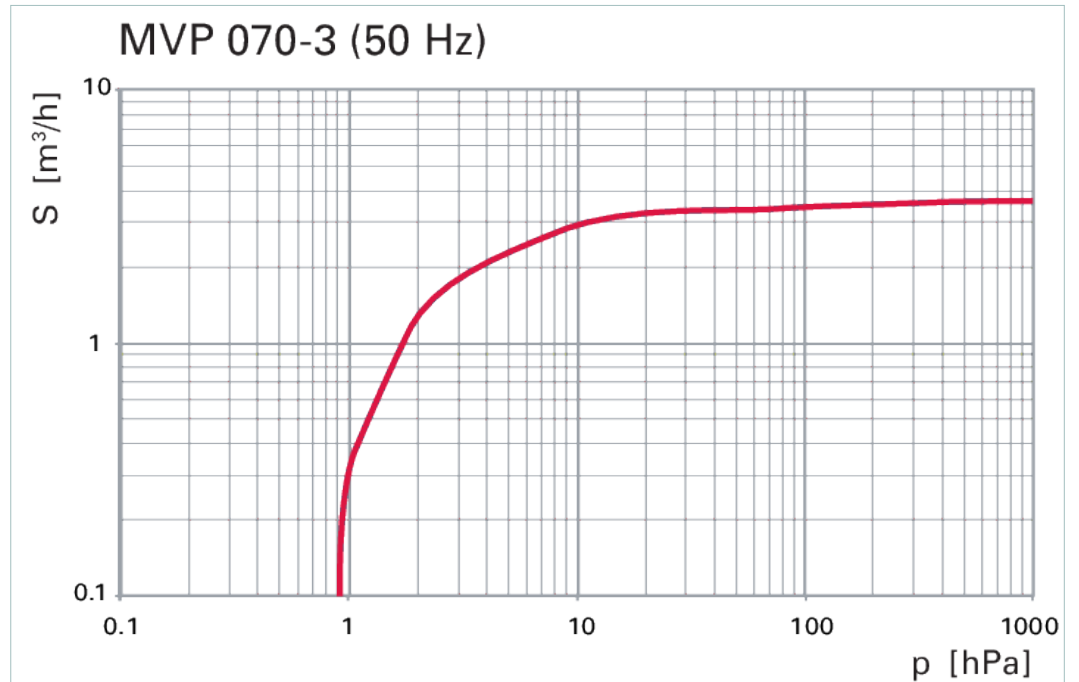
# MVP 070-3, diaphragm pump, 100–230 V, 50/60 Hz



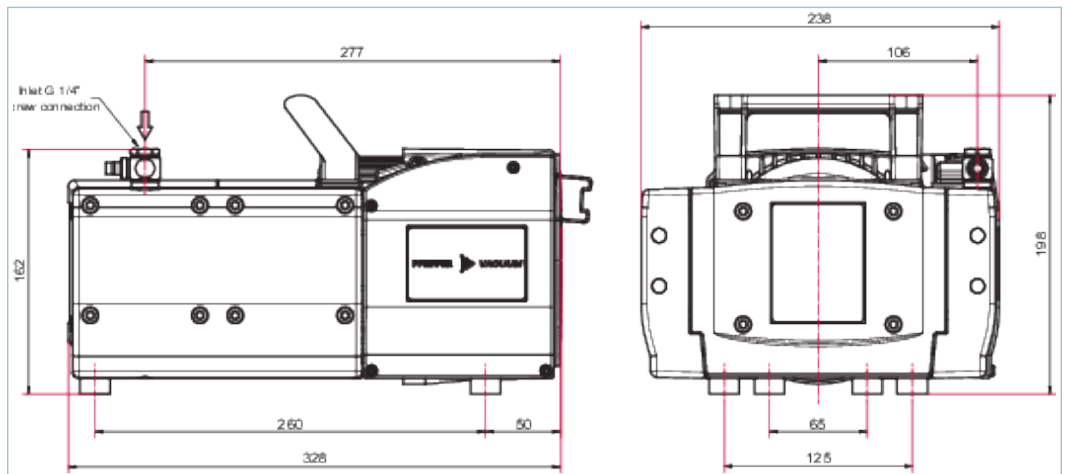
Similar Image

### MVP 070-3, diaphragm pump, 100–230 V, 50/60 Hz

- Diaphragm pump with a pumping speed of up to 4.3 m<sup>3</sup>/h
- No hydrocarbons: Completely dry & oil-free diaphragm pump
- Low noise level, low vibrations and compact design, also ideal for use in laboratories
- Low operating costs thanks to the highest quality, short maintenance times and long maintenance intervals
- Simple logistics: Our diaphragm pumps are suitable for all voltages worldwide



## Dimensions



Technical Data	MVP 070-3, diaphragm pump, 100–230 V, 50/60 Hz
Pumping speed at 50 Hz	3.8 m <sup>3</sup> /h   2.24 cfm   63.33 l/min
Pumping speed at 60 Hz	4.3 m <sup>3</sup> /h   2.53 cfm   71.67 l/min
Final pressure without gas ballast	1 hPa   0.75 Torr   1 mbar
Leakage rate	2 · 10 <sup>-3</sup> Pa m <sup>3</sup> /s   1.5 · 10 <sup>-2</sup> Torr l/s   2 · 10 <sup>-2</sup> mbar l/s
Intake pressure max.	1,100 hPa   825 Torr   1,100 mbar
Exhaust pressure, max.	1,100 hPa   825 Torr   1,100 mbar
Connection flange (in)	G 1/4"
Connection flange (out)	1/4" thread with silencer
Mains connection: voltage 50 Hz	100 – 115/200 – 230 V
Mains connection: voltage 60 Hz	100 – 115/120/200 – 230 V
Mains connection: voltage (range)	±10 %
Certification	cTUVus certified according to UL / CSA 61010-1
Protection degree	IP40
Switch	Yes
Sound pressure level	55 dB(A)
Ambient temperature	10-40 °C   50-104 °F   283-313 K
Temperature: Storage	-10-60 °C   14-140 °F   263-333 K
Temperature: Shipping	-10-60 °C   14-140 °F   263-333 K
Cooling method	Air
Weight	16.4 kg   36.16 lb
Gas ballast	No
Operating altitude, max.	2000 m

## Order number

MVP 070-3

PK T01 310

<b>Accessories</b>	
<b>Cables Mains cables / Power cords</b>	
Mains cable 230 V with safety plug, right angle IEC 320/C13 socket, 2 m	<b>PK 050 109</b>
Mains cable, 115 V, with NEMA plug to Euro C13 socket (angled), 2 m	<b>PK 050 110</b>
Mains cable 115/230 V without plug, rubber connector (right angle), 3 m	<b>PK 050 111</b>
<b>Connections Screw-in flanges</b>	
Screw-in flange DN 16 ISO-KF / G1/4" incl. seal (for MVP 040-2, MVP 070-3 inlet/outlet)	<b>PK 050 114 -T</b>
<b>Control Devices Backing pump</b>	
Relay box, shielded, for backing pumps, 1-phase 7A for TC 110/120 and TCP 350, plug M8	<b>PM 071 282 -X</b>
Relay box, shielded, for backing pumps, 1-phase 7 A for TC 400/1200, TM 700 and TCP 350, M12	<b>PM 071 284 -X</b>

## **VACUUM SOLUTIONS FROM A SINGLE SOURCE**

Pfeiffer Vacuum stands for innovative and custom vacuum solutions worldwide, technological perfection, competent advice and reliable service.

## **COMPLETE RANGE OF PRODUCTS**

From a single component to complex systems:

We are the only supplier of vacuum technology that provides a complete product portfolio.

## **COMPETENCE IN THEORY AND PRACTICE**

Benefit from our know-how and our portfolio of training opportunities!

We support you with your plant layout and provide first-class on-site service worldwide.

Are you looking for a  
perfect vacuum solution?  
Please contact us:

**Pfeiffer Vacuum GmbH**  
Headquarters · Germany  
T +49 6441 802-0  
info@pfeiffer-vacuum.de

[www.pfeiffer-vacuum.com](http://www.pfeiffer-vacuum.com)

All data subject to change without prior notice.

**PFEIFFER**  **VACUUM**