



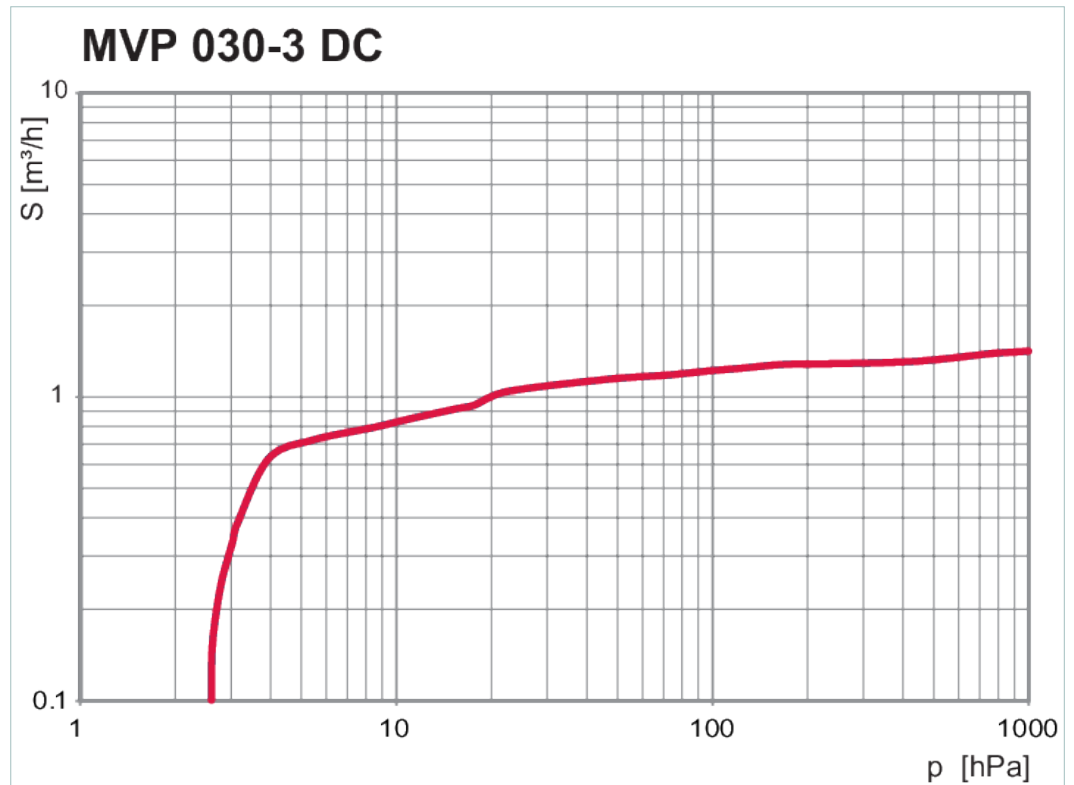
MVP 030-3 DC, diaphragm pump, 24 V DC



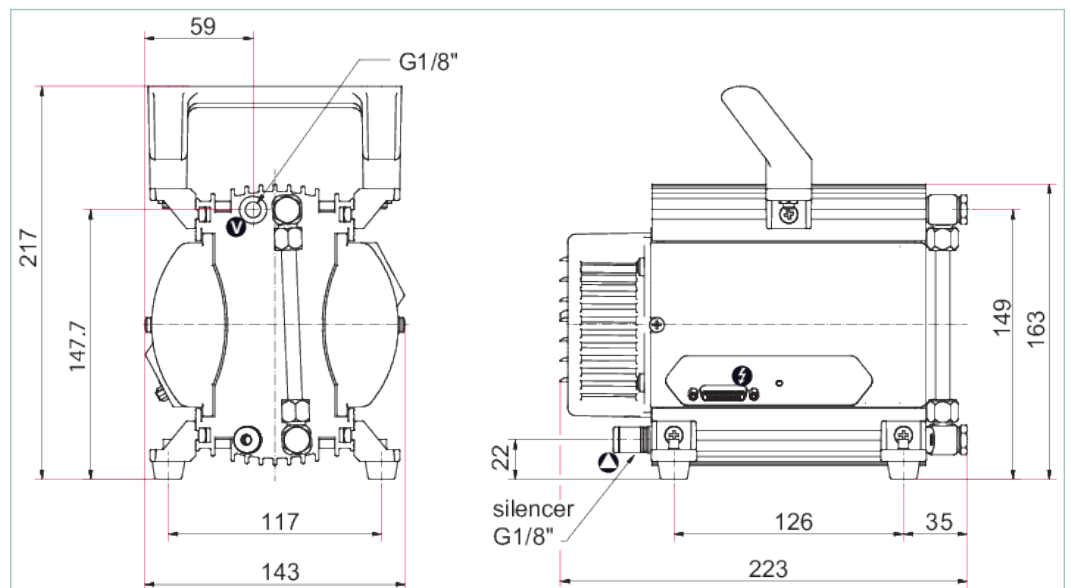
Similar Image

MVP 030-3 DC, diaphragm pump, 24 V DC

- Diaphragm pump with a pumping speed of up to 1.8 m³/h
- No hydrocarbons: Completely dry & oil-free diaphragm pump
- Low noise level, low vibrations and compact design, also ideal for use in laboratories
- Low operating costs thanks to the highest quality, short maintenance times and long maintenance intervals
- Industry 4.0 compatible: Operation with other intelligent products, such as turbopumps via RS-485



Dimensions



Technical Data	MVP 030-3 DC, diaphragm pump, 24 V DC
Pumping speed	1.8 m ³ /h 1.06 cfm 30 l/min
Final pressure without gas ballast	2 hPa 1.5 Torr 2 mbar
Final pressure with gas ballast	3 hPa 2.25 Torr 3 mbar
Leakage rate	1 · 10 ⁻² Pa m ³ /s 7.5 · 10 ⁻² Torr l/s 1 · 10 ⁻¹ mbar l/s
Intake pressure max.	1,100 hPa 825 Torr 1,100 mbar
Exhaust pressure, max.	1,100 hPa 825 Torr 1,100 mbar
Connection flange (in)	G 1/8"
Connection flange (out)	1/8" thread with silencer
I/O interfaces	RS-485
Supply: Voltage V DC	24 V DC
Current, max.	7.0 A
Rotation speed	600-2,400 rpm 600-2,400 min ⁻¹
Nominal rotation speed	1,800 rpm 1,800 min ⁻¹
Certification	cTUVus certified according to UL / CSA 61010-1
Protection degree	IP20
Switch	No
Sound pressure level	45 dB(A)
Ambient temperature	10-40 °C 50-104 °F 283-313 K
Temperature: Storage	-10-60 °C 14-140 °F 263-333 K
Temperature: Shipping	-10-60 °C 14-140 °F 263-333 K
Cooling method	Convection cooled
Weight	4.3 kg 9.48 lb
Gas ballast	Available as an accessory
Operating altitude, max.	2000 m

Order number	
MVP 030-3 DC	PK T01 500

Accessories	
Adapters (electrical) Remote	
D-Sub mains power plug, 15-pin, straight outgoing cable	P 4723 110
D-Sub mains power plug, 15-pin, angled outgoing cable	P 4723 111
Adapters (electrical) RS-232/485	
Y-connector M12 for RS-485	P 4723 010
USB RS-485 converter	PM 061 207 -T
Cables Backing pump control cables	
Connection cable MVP-TC-TPS, 3 m	PE 100 013 -T
Cables Connection cables	
Connecting cable from 24V/48V power supply pack to electronic drive unit. With RS-485 interface	PM 061 350 -T
Cables RS-485 Interface cables	
Interface cable, M12 m straight / M12 m straight, 3 m	PM 061 283 -T
Connections Adapters Turbopump to Backing Pump	
Hose DN 6; (ø 8/6 mm) polyethylene	P 0991 939
Hose connection DN 6 x 400 mm with straight connector 1/8" thread and 1/4" thread including seal	P 0920 739 E
Hose connection DN 6 x 1000 mm with straight connector 1/8" thread and 1/4" thread including seal	P 0920 817 E
Push-in fitting 1/8" thread including seal for hose connection (8/6 mm)	P 4131 026 C
Push-in T-fitting 1/8" thread including seal for hose connection (8/6 mm)	P 4131 030 E
Connections Screw-in flanges	
Screwing flange DN 16 ISO-KF / 1/8" thread incl. seal	PK 050 108 -T
Control Devices Power supplies and control displays	
TPS 180, power supply pack for wall/standard rail installation	PM 061 341 -T
TPS 181, power supply pack 19" plug-in unit 3HU	PM 061 345 -T
OmniControl 200, rack unit with integrated power supply pack	PE D50 000 0
OmniControl 001, rack unit without integrated power supply pack	PE D40 000 0
Flanges/Ports Blank flanges	
Push-in fitting G 1/8" including seal for hose connection (8/6 mm)	P 4131 029 G
Monitoring Pressure Sensors	
OmniControl 200 with TPR 270	PT 440 950 -T
Protection Flushing devices	
Flushing gas nozzle with filter for MVP 020-3 / MVP 030-3	PK 050 304 -U

VACUUM SOLUTIONS FROM A SINGLE SOURCE

Pfeiffer Vacuum stands for innovative and custom vacuum solutions worldwide, technological perfection, competent advice and reliable service.

COMPLETE RANGE OF PRODUCTS

From a single component to complex systems:

We are the only supplier of vacuum technology that provides a complete product portfolio.

COMPETENCE IN THEORY AND PRACTICE

Benefit from our know-how and our portfolio of training opportunities!

We support you with your plant layout and provide first-class on-site service worldwide.

Are you looking for a
perfect vacuum solution?
Please contact us:

Pfeiffer Vacuum GmbH
Headquarters · Germany
T +49 6441 802-0
info@pfeiffer-vacuum.de

www.pfeiffer-vacuum.com

All data subject to change without prior notice.

PFEIFFER  **VACUUM**