



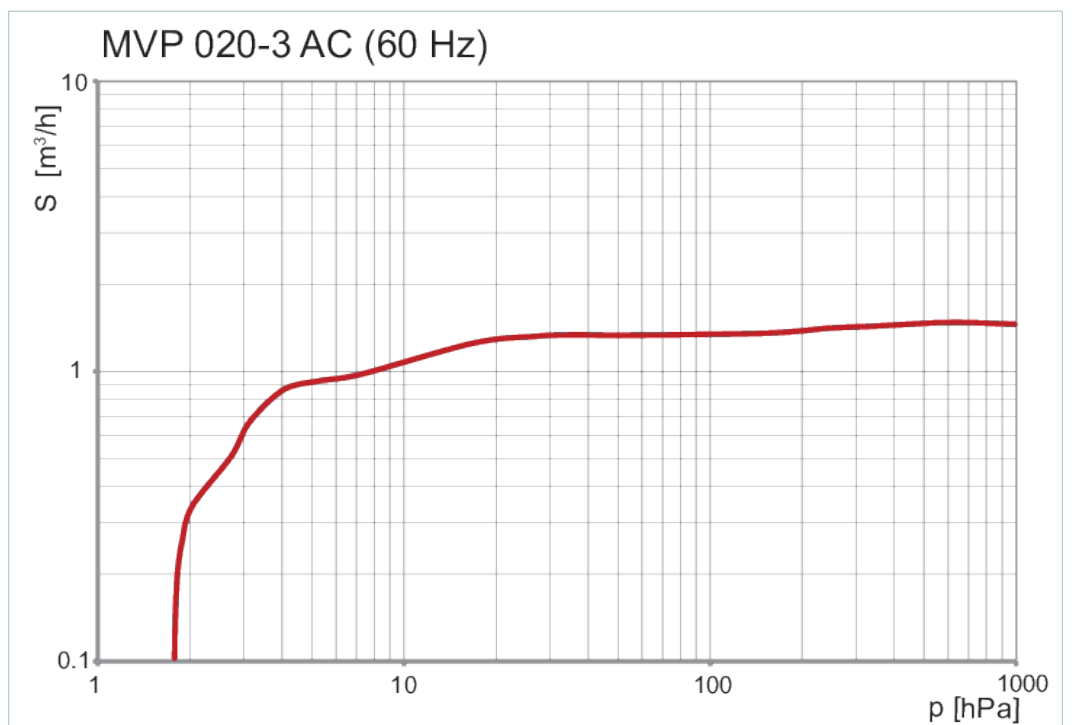
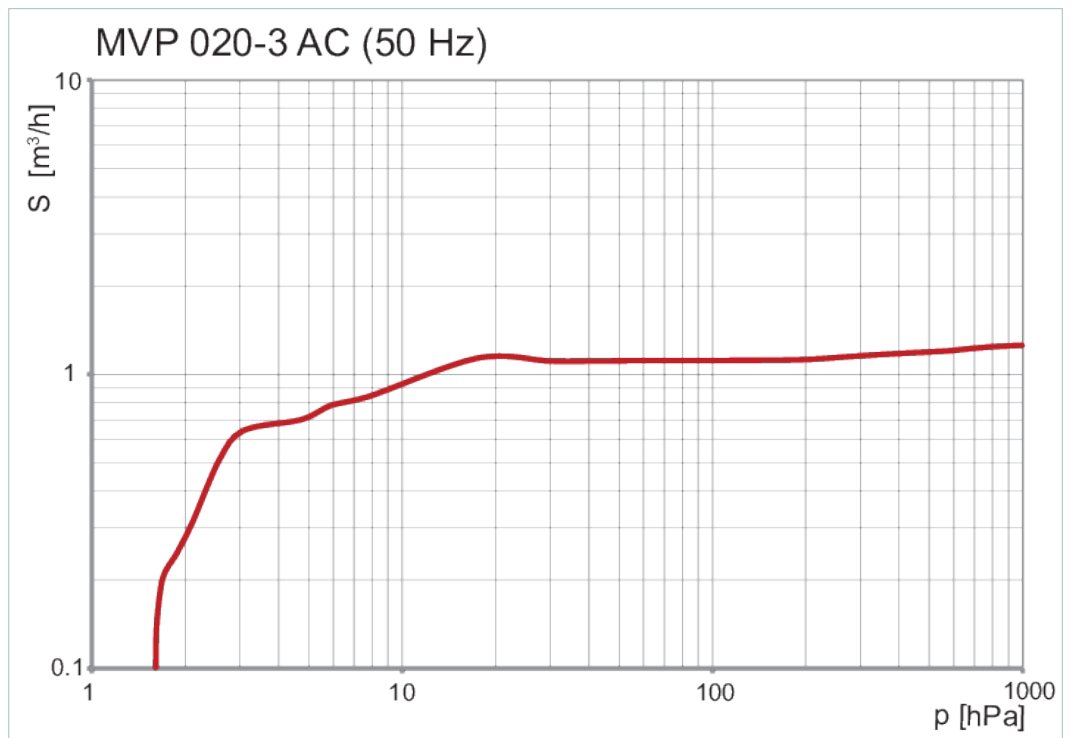
**MVP 020-3 AC, diaphragm pump,
100–115 V / 220–230 V, 50/60 Hz,
120 V 60 Hz**



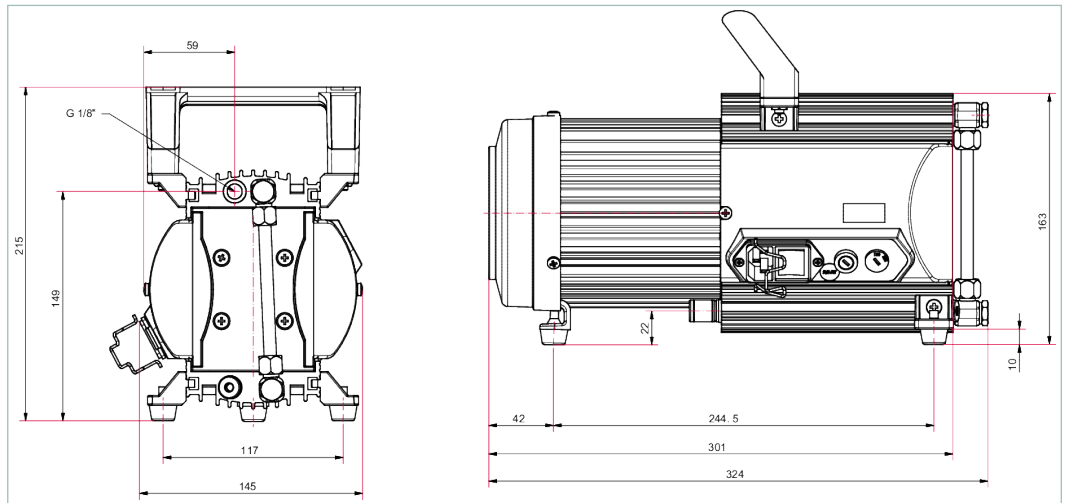
Similar Image

MVP 020-3 AC, diaphragm pump, 100–115 V / 220–230 V, 50/60 Hz, 120 V 60 Hz

- Diaphragm pump with a pumping speed of up to 1.4 m³/h
- No hydrocarbons: Completely dry & oil-free diaphragm pump
- Low noise level, low vibrations and compact design, also ideal for use in laboratories
- Low operating costs thanks to the highest quality, short maintenance times and long maintenance intervals
- Simple logistics: Our diaphragm pumps are suitable for all voltages worldwide



Dimensions



Technical Data	MVP 020-3 AC, diaphragm pump, 100–115 V / 220–230 V, 50/60 Hz, 120 V 60 Hz
Pumping speed at 50 Hz	1.2 m ³ /h 0.71 cfm 20 l/min
Pumping speed at 60 Hz	1.4 m ³ /h 0.82 cfm 23.33 l/min
Final pressure without gas ballast	2 hPa 1.5 Torr 2 mbar
Final pressure with gas ballast	3 hPa 2.25 Torr 3 mbar
Leakage rate	1 · 10 ⁻² Pa m ³ /s 7.5 · 10 ⁻² Torr l/s 1 · 10 ⁻¹ mbar l/s
Intake pressure max.	1,100 hPa 825 Torr 1,100 mbar
Exhaust pressure, max.	1,100 hPa 825 Torr 1,100 mbar
Connection flange (in)	G 1/8", 1m intake hose DN8, lock nut, red rubber cap
Connection flange (out)	1/8" thread with silencer
Mains connection: voltage 50 Hz	100 — 115/220 — 230 V
Mains connection: voltage 60 Hz	100 — 120/220 — 230 V
Mains connection: voltage (range)	±10 %
Current, max.	1.7 A
Certification	cTUVus certified according to UL / CSA 61010-1
Protection degree	IP40
Switch	Yes
Sound pressure level	48 dB(A)
Ambient temperature	10-40 °C 50-104 °F 283-313 K
Temperature: Storage	-10-60 °C 14-140 °F 263-333 K
Temperature: Shipping	-10-60 °C 14-140 °F 263-333 K
Cooling method	Air
Weight	7.3 kg 16.09 lb
Gas ballast	Available as an accessory
Operating altitude, max.	2000 m

Order number

MVP 020-3 AC

PK T01 110

Accessories	
Cables Mains cables / Power cords	
Mains cable 230 V AC, CEE 7/7 to C13, 3 m	P 4564 309 ZA
Mains cable 115 V AC, NEMA 5-15 to C13, 3 m	P 4564 309 ZE
Mains cable 208 V AC, NEMA 6-15 to C13, 3 m	P 4564 309 ZF
Connections Adapters Turbopump to Backing Pump	
Push-in T-fitting 1/8" thread including seal for hose connection (8/6 mm)	P 4131 030 E
Push-in fitting 1/8" thread including seal for hose connection (8/6 mm)	P 4131 026 C
Connections Screw-in flanges	
Screwing flange DN 16 ISO-KF / 1/8" thread incl. seal	PK 050 108 -T
Flanges/Ports Blank flanges	
Push-in fitting G 1/8" including seal for hose connection (8/6 mm)	P 4131 029 G
Protection Flushing devices	
Flushing gas nozzle with filter for MVP 020-3 / MVP 030-3	PK 050 304 -U

VACUUM SOLUTIONS FROM A SINGLE SOURCE

Pfeiffer Vacuum stands for innovative and custom vacuum solutions worldwide, technological perfection, competent advice and reliable service.

COMPLETE RANGE OF PRODUCTS

From a single component to complex systems:

We are the only supplier of vacuum technology that provides a complete product portfolio.

COMPETENCE IN THEORY AND PRACTICE

Benefit from our know-how and our portfolio of training opportunities!

We support you with your plant layout and provide first-class on-site service worldwide.

Are you looking for a
perfect vacuum solution?
Please contact us:

Pfeiffer Vacuum GmbH
Headquarters · Germany
T +49 6441 802-0
info@pfeiffer-vacuum.de

www.pfeiffer-vacuum.com

All data subject to change without prior notice.

PFEIFFER  **VACUUM**