



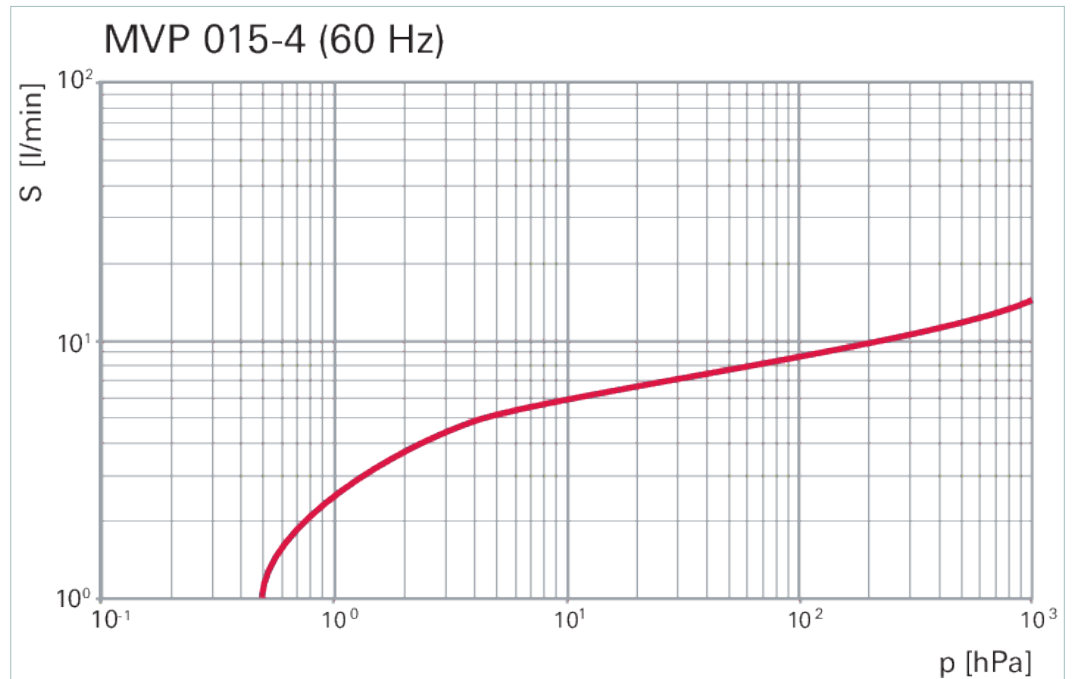
# MVP 015-4, diaphragm pump, 120 V, 60 Hz



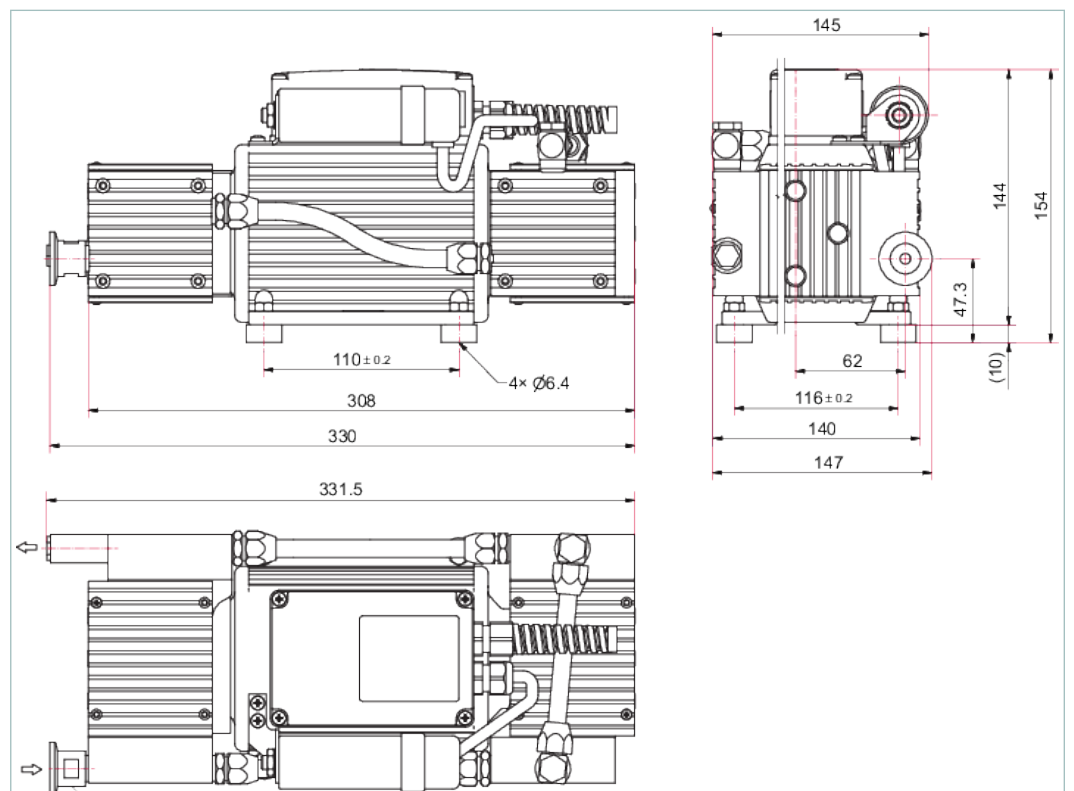
Similar Image

## MVP 015-4, diaphragm pump, 120 V, 60 Hz

- Powerful diaphragm pump with a pumping speed of up to 0.65 m<sup>3</sup>/h
- For mains voltage: 120 V (+ 5% / - 10%) 60 Hz
- Ideal for applications where a dry and oil-free vacuum is required
- The excellent final pressure offers an ideal combination with Pfeiffer Vacuum turbopumps



### Dimensions



Technical Data	MVP 015-4, diaphragm pump, 120 V, 60 Hz
Pumping speed at 60 Hz	0.65 m <sup>3</sup> /h   0.38 cfm   10.83 l/min
Final pressure without gas ballast	5 · 10 <sup>-1</sup> hPa   3.75 · 10 <sup>-1</sup> Torr   5 · 10 <sup>-1</sup> mbar
Leakage rate	≤ 5 · 10 <sup>-4</sup> Pa m <sup>3</sup> /s   ≤ 3.75 · 10 <sup>-3</sup> Torr l/s   ≤ 5 · 10 <sup>-3</sup> mbar l/s
Intake pressure max.	1,100 hPa   825 Torr   1,100 mbar
Exhaust pressure, max.	1,100 hPa   825 Torr   1,100 mbar
Connection flange (in)	DN 16 ISO-KF
Connection flange (out)	1/8" thread with silencer
Mains connection: voltage 60 Hz	120 V
Mains connection: voltage (range)	+5 %/-10 %
Current, max.	3.5 A
Protection degree	IP54
Switch	No
Sound pressure level	52 dB(A)
Ambient temperature	12-40 °C   53.6-104 °F   285-313 K
Temperature: Storage	5-40 °C   41-104 °F   278-313 K
Temperature: Shipping	-10-60 °C   14-140 °F   263-333 K
Cooling method	Convection cooled
Weight	7.5 kg   16.53 lb
Gas ballast	No
Operating altitude, max.	2000 m

Order number	
MVP 015-4	PK T05 064

Accessories	
<b>Connections Adapters Turbopump to Backing Pump</b>	
Hose connection DN 6 x 400 mm with straight connector 1/8" thread and 1/4" thread including seal	P 0920 739 E
Push-in T-fitting 1/8" thread including seal for hose connection (8/6 mm)	P 4131 030 E
<b>Connections Screw-in flanges</b>	
Screwing flange DN 16 ISO-KF / 1/8" thread incl. seal	PK 050 108 -T
<b>Control Devices Backing pump</b>	
Relay box, shielded, for backing pumps, 1-phase 7A for TC 110/120 and TCP 350, plug M8	PM 071 282 -X
Relay box, shielded, for backing pumps, 1-phase 7 A for TC 400/1200, TM 700 and TCP 350, M12	PM 071 284 -X
<b>Flanges/Ports Blank flanges</b>	
Push-in fitting G 1/8" including seal for hose connection (8/6 mm)	P 4131 029 G
<b>Valves Isolation valves</b>	
AVC 016 PA, angle valve, electro-pneumatic, with PI, with PV, PV 24 V DC	PF A38 204

## **VACUUM SOLUTIONS FROM A SINGLE SOURCE**

Pfeiffer Vacuum stands for innovative and custom vacuum solutions worldwide, technological perfection, competent advice and reliable service.

## **COMPLETE RANGE OF PRODUCTS**

From a single component to complex systems:

We are the only supplier of vacuum technology that provides a complete product portfolio.

## **COMPETENCE IN THEORY AND PRACTICE**

Benefit from our know-how and our portfolio of training opportunities!

We support you with your plant layout and provide first-class on-site service worldwide.

Are you looking for a  
perfect vacuum solution?  
Please contact us:

**Pfeiffer Vacuum GmbH**  
Headquarters · Germany  
T +49 6441 802-0  
info@pfeiffer-vacuum.de

[www.pfeiffer-vacuum.com](http://www.pfeiffer-vacuum.com)

All data subject to change without prior notice.

**PFEIFFER**  **VACUUM**