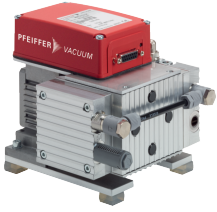


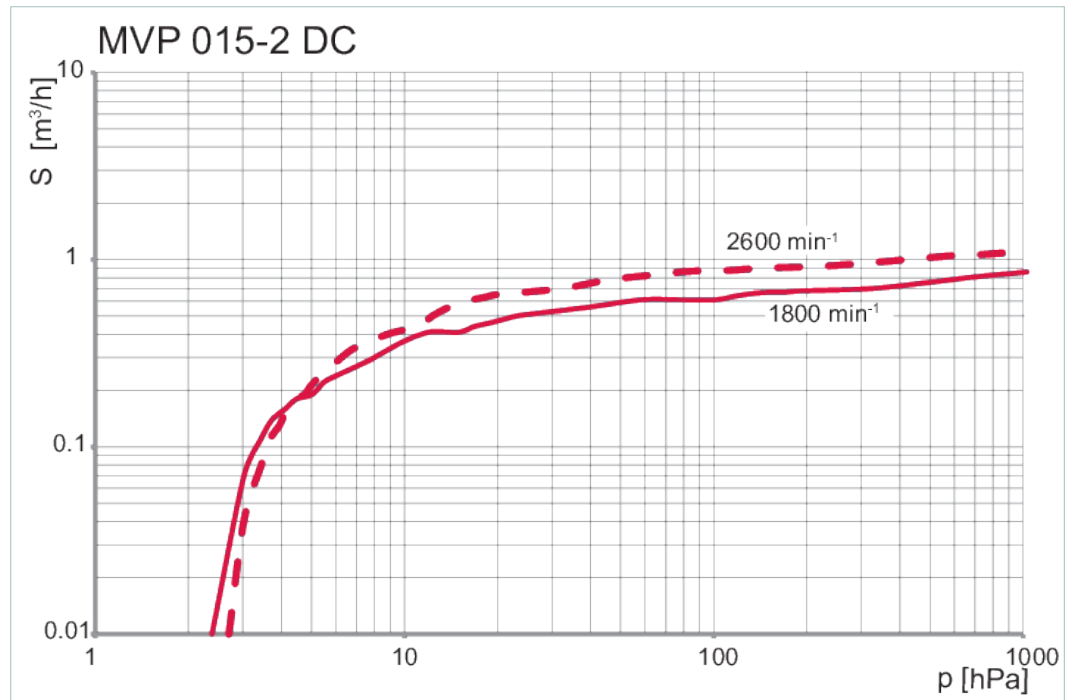
# MVP 015-2 DC, diaphragm pump, 24 V DC



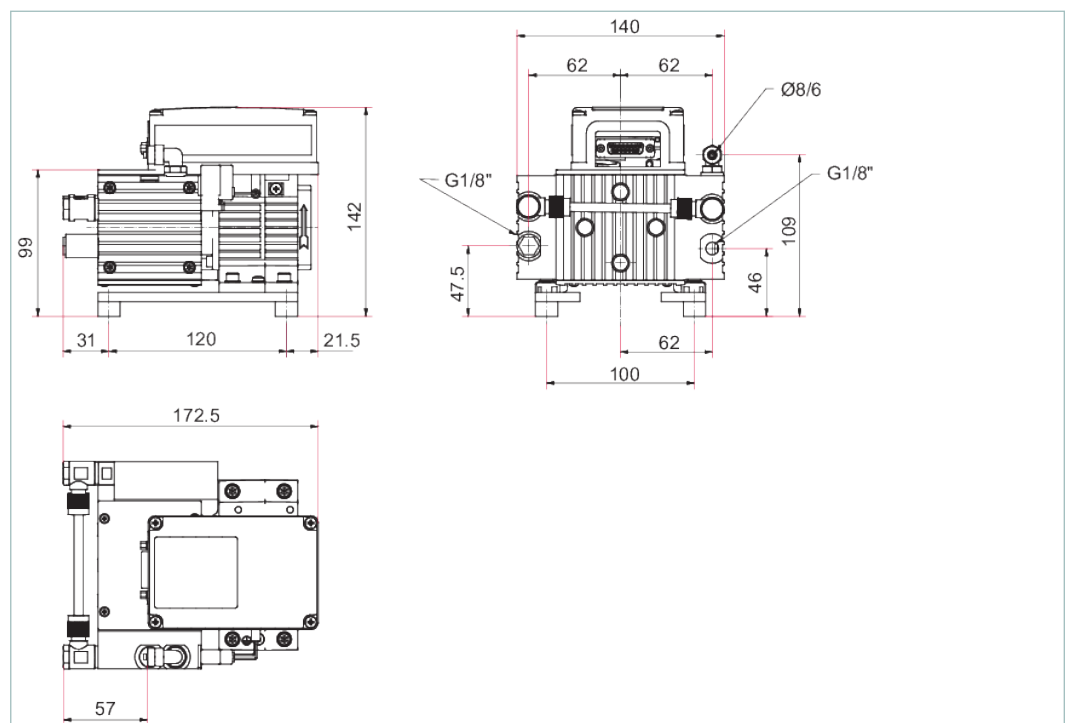
Similar Image

## MVP 015-2 DC, diaphragm pump, 24 V DC

- Diaphragm pump with a pumping speed of up to 1.0 m<sup>3</sup>/h
- No hydrocarbons: Completely dry & oil-free diaphragm pump
- Low noise level, low vibrations and compact design, also ideal for use in laboratories
- Low operating costs thanks to the highest quality, short maintenance times and long maintenance intervals
- Industry 4.0 compatible: Operation with other intelligent products, such as turbopumps via RS-485



### Dimensions



Technical Data	MVP 015-2 DC, diaphragm pump, 24 V DC
Pumping speed	1 m <sup>3</sup> /h   0.59 cfm   16.67 l/min
Final pressure without gas ballast	3.5 hPa   2.62 Torr   3.5 mbar
Final pressure with gas ballast	6 hPa   4.5 Torr   6 mbar
Leakage rate	≤ 5 · 10 <sup>-4</sup> Pa m <sup>3</sup> /s   ≤ 3.75 · 10 <sup>-3</sup> Torr l/s   ≤ 5 · 10 <sup>-3</sup> mbar l/s
Intake pressure max.	1,100 hPa   825 Torr   1,100 mbar
Exhaust pressure, max.	1,100 hPa   825 Torr   1,100 mbar
Connection flange (in)	G 1/8"
Connection flange (out)	1/8" thread with silencer
I/O interfaces	RS-485
Supply: Voltage V DC	24 V DC
Current, max.	4.6 A
Rotation speed	540-2,600 rpm   540-2,600 min <sup>-1</sup>
Nominal rotation speed	1,800 rpm   1,800 min <sup>-1</sup>
Certification	cTUVus certified according to UL / CSA 61010-1
Protection degree	IP20
Switch	No
Sound pressure level	50 dB(A)
Ambient temperature	5-40 °C   41-104 °F   278-313 K
Temperature: Storage	5-40 °C   41-104 °F   278-313 K
Temperature: Shipping	-10-60 °C   14-140 °F   263-333 K
Cooling method	Convection cooled
Weight	2.7 kg   5.95 lb
Gas ballast	Yes
Operating altitude, max.	2000 m

Order number	
MVP 015-2 DC	PK T05 150

<b>Accessories</b>	
<b>Adapters (electrical) RS-232/485</b>	
USB RS-485 converter	PM 061 207 -T
Y-connector M12 for RS-485	P 4723 010
<b>Cables Backing pump control cables</b>	
Connection cable MVP-TC-TPS, 3 m	PE 100 013 -T
<b>Cables Connection cables</b>	
Connection cable for HiPace with TC 110/120	PM 061 543 -T
Connecting cable from 24V/48V power supply pack to electronic drive unit. With RS-485 interface	PM 061 350 -T
<b>Cables RS-485 Interface cables</b>	
Interface cable, M12 m straight / M12 m straight, 3 m	PM 061 283 -T
<b>Connections Adapters Turbopump to Backing Pump</b>	
Push-in T-fitting 1/8" thread including seal for hose connection (8/6 mm)	P 4131 030 E
Hose DN 6; (ø 8/6 mm) polyethylene	P 0991 939
Hose connection DN 6 x 400 mm with straight connector 1/8" thread and 1/4" thread including seal	P 0920 739 E
Push-in fitting 1/8" thread including seal for hose connection (8/6 mm)	P 4131 026 C
Hose connection DN 6 x 1000 mm with straight connector 1/8" thread and 1/4" thread including seal	P 0920 817 E
<b>Connections Screw-in flanges</b>	
Screwing flange DN 16 ISO-KF / 1/8" thread incl. seal	PK 050 108 -T
<b>Control Devices Power supplies and control displays</b>	
TPS 110, power supply pack for wall/standard rail installation	PM 061 340 -T
TPS 111, power supply pack 19" plug-in unit 3HU	PM 061 344 -T
OmniControl 001, rack unit without integrated power supply pack	PE D40 000 0
OmniControl 200, rack unit with integrated power supply pack	PE D50 000 0
<b>Flanges/Ports Blank flanges</b>	
Push-in fitting G 1/8" including seal for hose connection (8/6 mm)	P 4131 029 G
<b>Monitoring Pressure Sensors</b>	
OmniControl 200 with TPR 270	PT 440 950 -T

## **VACUUM SOLUTIONS FROM A SINGLE SOURCE**

Pfeiffer Vacuum stands for innovative and custom vacuum solutions worldwide, technological perfection, competent advice and reliable service.

## **COMPLETE RANGE OF PRODUCTS**

From a single component to complex systems:

We are the only supplier of vacuum technology that provides a complete product portfolio.

## **COMPETENCE IN THEORY AND PRACTICE**

Benefit from our know-how and our portfolio of training opportunities!

We support you with your plant layout and provide first-class on-site service worldwide.

Are you looking for a  
perfect vacuum solution?  
Please contact us:

**Pfeiffer Vacuum GmbH**  
Headquarters · Germany  
T +49 6441 802-0  
info@pfeiffer-vacuum.de

[www.pfeiffer-vacuum.com](http://www.pfeiffer-vacuum.com)

All data subject to change without prior notice.

**PFEIFFER**  **VACUUM**