



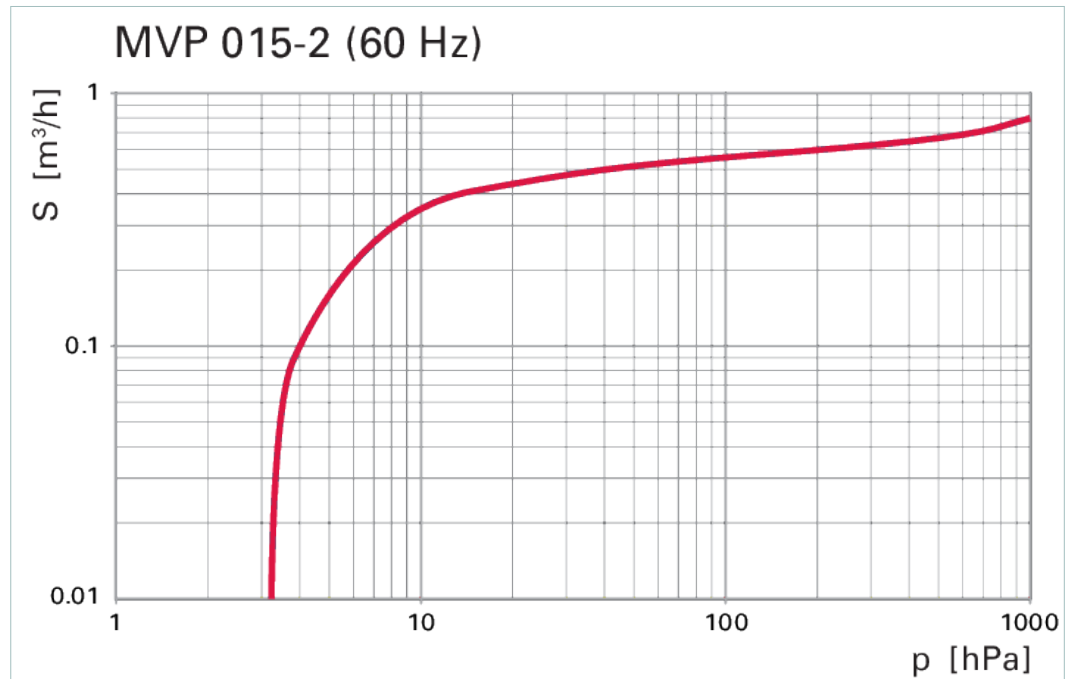
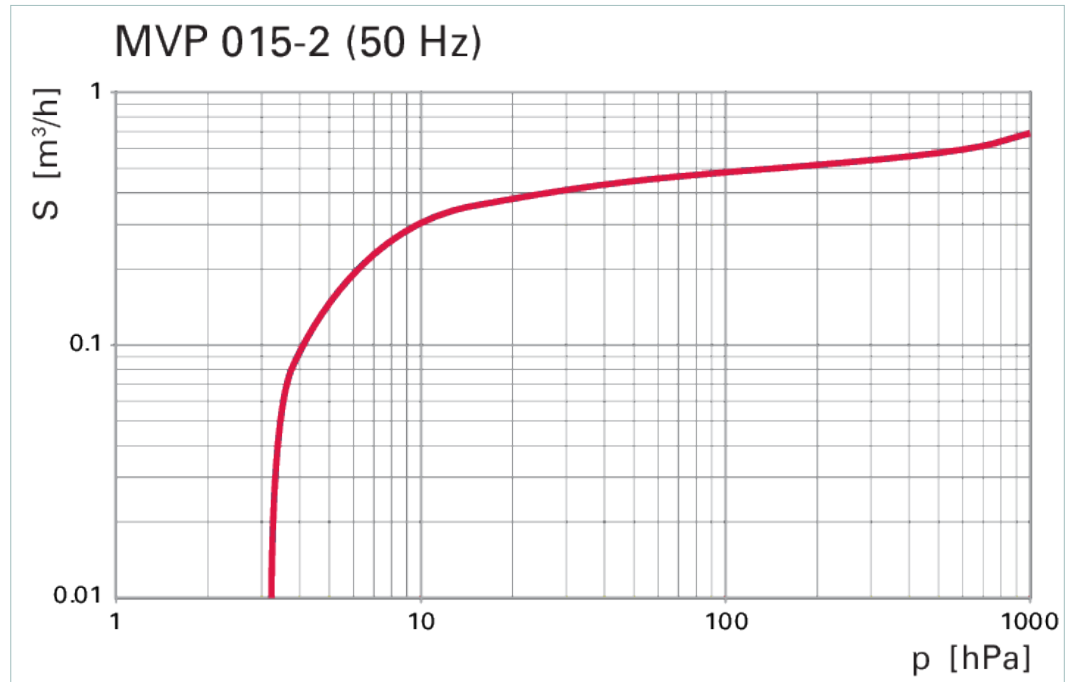
# MVP 015-2, diaphragm pump, 100–236 V, 50/60 Hz



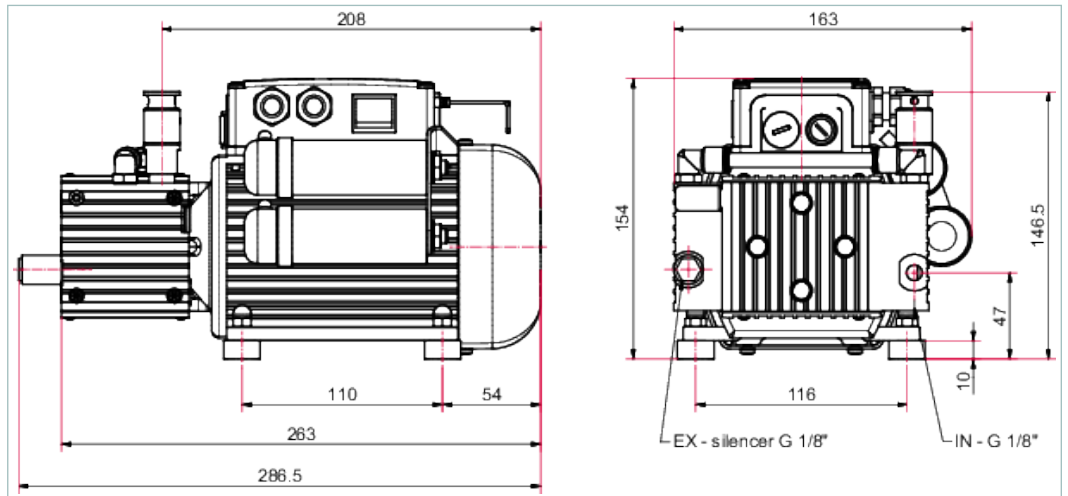
Similar Image

### MVP 015-2, diaphragm pump, 100–236 V, 50/60 Hz

- Diaphragm pump with a pumping speed of up to 0.7 m<sup>3</sup>/h
- No hydrocarbons: Completely dry & oil-free diaphragm pump
- Low noise level, low vibrations and compact design, also ideal for use in laboratories
- Low operating costs thanks to the highest quality, short maintenance times and long maintenance intervals
- Simple logistics: Our diaphragm pumps are suitable for all voltages worldwide



## Dimensions



Technical Data	MVP 015-2, diaphragm pump, 100–236 V, 50/60 Hz
Pumping speed at 50 Hz	0.5 m <sup>3</sup> /h   0.29 cfm   8.33 l/min
Pumping speed at 60 Hz	0.7 m <sup>3</sup> /h   0.41 cfm   11.67 l/min
Final pressure without gas ballast	3.5 hPa   2.62 Torr   3.5 mbar
Final pressure with gas ballast	4.5 hPa   3.38 Torr   4.5 mbar
Leakage rate	5 · 10 <sup>-4</sup> Pa m <sup>3</sup> /s   3.75 · 10 <sup>-3</sup> Torr l/s   5 · 10 <sup>-3</sup> mbar l/s
Intake pressure max.	1,100 hPa   825 Torr   1,100 mbar
Exhaust pressure, max.	1,100 hPa   825 Torr   1,100 mbar
Connection flange (in)	G 1/8"
Connection flange (out)	1/8" thread with silencer
Mains connection: voltage 50 Hz	100 — 115/208 — 236 V
Mains connection: voltage 60 Hz	100 — 115/208 — 236 V
Mains connection: voltage (range)	±10 %
Current, max.	2.8
Certification	cTUVus certified according to UL / CSA 61010-1
Protection degree	IP20
Switch	Yes
Sound pressure level	52 dB(A)
Ambient temperature	5-40 °C   41-104 °F   278-313 K
Temperature: Storage	5-40 °C   41-104 °F   278-313 K
Temperature: Shipping	-10-60 °C   14-140 °F   263-333 K
Cooling method	Air
Weight	6.5 kg   14.33 lb
Gas ballast	Yes
Operating altitude, max.	2000 m

## Order number

MVP 015-2

PK T05 100

<b>Accessories</b>	
<b>Cables Mains cables / Power cords</b>	
Mains cable 230 V AC, CEE 7/7 to C13, 3 m	<b>P 4564 309 ZA</b>
Mains cable 115 V AC, NEMA 5-15 to C13, 3 m	<b>P 4564 309 ZE</b>
Mains cable 115/230 V without plug, IEC socket (straight), 3 m	<b>P 4564 309 ZH</b>
<b>Connections Adapters Turbopump to Backing Pump</b>	
Hose connection DN 6 x 1000 mm with straight connector 1/8" thread and 1/4" thread including seal	<b>P 0920 817 E</b>
Push-in fitting 1/8" thread including seal for hose connection (8/6 mm)	<b>P 4131 026 C</b>
Push-in T-fitting 1/8" thread including seal for hose connection (8/6 mm)	<b>P 4131 030 E</b>
<b>Connections Screw-in flanges</b>	
Screwing flange DN 16 ISO-KF / 1/8" thread incl. seal	<b>PK 050 108 -T</b>
<b>Control Devices Backing pump</b>	
Relay box, shielded, for backing pumps, 1-phase 7A for TC 110/120 and TCP 350, plug M8	<b>PM 071 282 -X</b>
Relay box, shielded, for backing pumps, 1-phase 7 A for TC 400/1200, TM 700 and TCP 350, M12	<b>PM 071 284 -X</b>
<b>Flanges/Ports Blank flanges</b>	
Push-in fitting G 1/8" including seal for hose connection (8/6 mm)	<b>P 4131 029 G</b>

## **VACUUM SOLUTIONS FROM A SINGLE SOURCE**

Pfeiffer Vacuum stands for innovative and custom vacuum solutions worldwide, technological perfection, competent advice and reliable service.

## **COMPLETE RANGE OF PRODUCTS**

From a single component to complex systems:

We are the only supplier of vacuum technology that provides a complete product portfolio.

## **COMPETENCE IN THEORY AND PRACTICE**

Benefit from our know-how and our portfolio of training opportunities!

We support you with your plant layout and provide first-class on-site service worldwide.

Are you looking for a  
perfect vacuum solution?  
Please contact us:

**Pfeiffer Vacuum GmbH**  
Headquarters · Germany  
T +49 6441 802-0  
info@pfeiffer-vacuum.de

[www.pfeiffer-vacuum.com](http://www.pfeiffer-vacuum.com)

All data subject to change without prior notice.

**PFEIFFER**  **VACUUM**