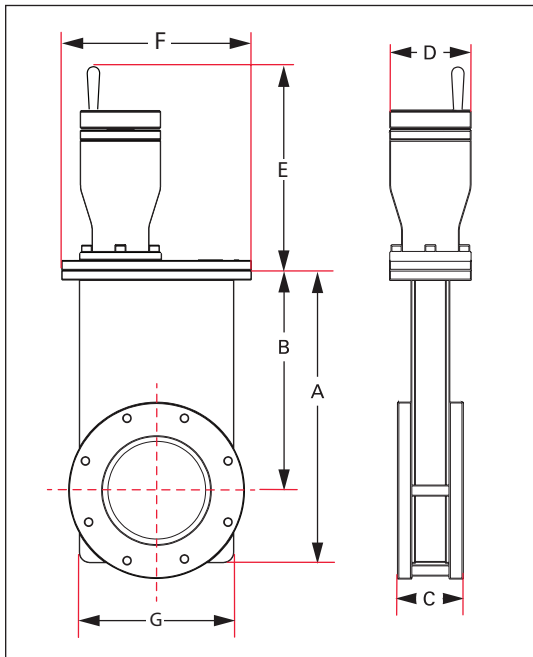


GV series manual isolation linear gate valve

DN 63 ISO-F to DN 320 ISO-F



- Isolation valve intended for use in HV applications
- Ultra-slim profile
- Smaller volume results in lower outgassing and faster pumpdown
- Larger sizes have a unique feature in the actuator, which dampens vibration at opening
- 304SS bodies are vacuum furnace brazed to 1100 °C at 10⁻⁶ mbar prior to being electropolished inside and out
- Welded AM-350 bellows with short stroke for longer cycle life
- Can be installed and operated in any orientation
- Bolt length 6.4 mm shorter than the thickness of both mating flanges, is recommended to prevent damaging the body and compromising to the gate seal
- Carriage assembly and actuator can be removed for inspection and maintenance without disassembling the system
- Service life of 100,000 operating cycles
- Additional o-ring compounds available
- Heaters and insulators available

| Dimensions Key | DN 63 ISO-F | DN 80 ISO-F | DN 100 ISO-F | DN 160 ISO-F | DN 200 ISO-F | DN 250 ISO-F | DN 320 ISO-F |
|----------------|-------------|-------------|--------------|--------------|--------------|--------------|--------------|
| A | 165 mm | 196 mm | 273 mm | 357 mm | 468 mm | 611 mm | 734 mm |
| B | 122 mm | 147 mm | 207 mm | 270 mm | 354 mm | 465 mm | 560 mm |
| C | 51.6 mm | 50 mm | 61.2 mm | 59.9 mm | 67.5 mm | 80 mm | 80 mm |
| D | 50 mm | 50 mm | 79 mm | 79 mm | 79 mm | 228 mm | 228 mm |
| E | 92 mm | 92 mm | 201 mm | 201 mm | 201 mm | 305 mm | 305 mm |
| F | 111 mm | 125 mm | 178 mm | 222 mm | 286 mm | 341 mm | 404 mm |
| G | 89 mm | 109 mm | 144 mm | 192 mm | 255 mm | 305 mm | 363 mm |



Order number valves

| Description | DN 63 ISO-F | DN 80 ISO-F | DN 100 ISO-F | DN 160 ISO-F | DN 200 ISO-F | DN 250 ISO-F | DN 320 ISO-F |
|----------------------|------------------|------------------|------------------|------------------|------------------|------------------|------------------|
| Isolation gate valve | GV-S06300 | GV-S07300 | GV-S08300 | GV-S10300 | GV-S11300 | GV-S12300 | GV-S13300 |

O-ring compound options

| Compound | Min./Max temp. range |
|----------------|----------------------|
| FKM (standard) | -29°C to 204°C |
| Kalrez | -50°C to 316°C |
| Chemraz | -30°C to 210°C |
| Silicone | -50°C to 232°C |

GV series manual isolation linear gate valve

DN 63 ISO-F to DN 320 ISO-F

| Technical data | DN 63 ISO-F | DN 80 ISO-F | DN 100 ISO-F | DN 160 ISO-F | DN 200 ISO-F | DN 250 ISO-F | DN 320 ISO-F |
|-------------------------------------|------------------------------|------------------------------|------------------------------|------------------------------|------------------------------|------------------------------|------------------------------|
| Maximum pressure before opening: | 20 mbar | 20 mbar | 20 mbar | 20 mbar | 20 mbar | 20 mbar | 20 mbar |
| Differential pressure: | 1000 mbar | 1000 mbar | 1000 mbar | 1000 mbar | 1000 mbar | 1000 mbar | 1000 mbar |
| Vacuum range: | 1000 - 10 ⁻⁹ mbar | 1000 - 10 ⁻⁹ mbar | 1000 - 10 ⁻⁹ mbar | 1000 - 10 ⁻⁹ mbar | 1000 - 10 ⁻⁹ mbar | 1000 - 10 ⁻⁹ mbar | 1000 - 10 ⁻⁹ mbar |
| Helium leak rate | ≤ 2 · 10 ⁻⁹ mbar | ≤ 2 · 10 ⁻⁹ mbar | ≤ 2 · 10 ⁻⁹ mbar | ≤ 2 · 10 ⁻⁹ mbar | ≤ 2 · 10 ⁻⁹ mbar | ≤ 2 · 10 ⁻⁹ mbar | ≤ 2 · 10 ⁻⁹ mbar |
| Conductance for molecular flow: | 610 l/s | 1,070 l/s | 2,100 l/s | 7,100 l/s | 11,700 l/s | 26,900 l/s | 42,800 l/s |
| Weight: | 8 kg | 10 kg | 15 kg | 23 kg | 34 kg | 74 kg | 73 kg |
| Maximum temp with FKM seals* | | | | | | | |
| Sustained: | ≤150 °C | ≤150 °C | ≤150 °C | ≤150 °C | ≤150 °C | ≤150 °C | ≤150 °C |
| Bakeout temperature* | | | | | | | |
| Actuator: | 60 °C | 60 °C | 60 °C | 60 °C | 60 °C | 60 °C | 60 °C |
| Housing: | 150 °C | 150 °C | 150 °C | 150 °C | 150 °C | 150 °C | 150 °C |
| Seal* | | | | | | | |
| Gate seal: | FKM | FKM | FKM | FKM | FKM | FKM | FKM |
| Bonnet seal: | FKM | FKM | FKM | FKM | FKM | FKM | FKM |

*FKM o-rings standard. See o-ring compound options

Order number kits

| Description | DN 63 ISO-F | DN 80 ISO-F | DN 100 ISO-F | DN 160 ISO-F | DN 200 ISO-F | DN 250 ISO-F | DN 320 ISO-F |
|-------------|-------------|-------------|--------------|--------------|--------------|--------------|--------------|
| Seal kit | GV-250-95 | GV-300-95 | GV-400-95 | GV-600-95 | GV-800-95 | GV-1000-95 | GV-1200-95 |
| Bellows kit | GV-250-16 | GV-300-16 | GV-400-16 | GV-600-16 | GV-800-16 | GV-1000-16 | GV-12000-16 |