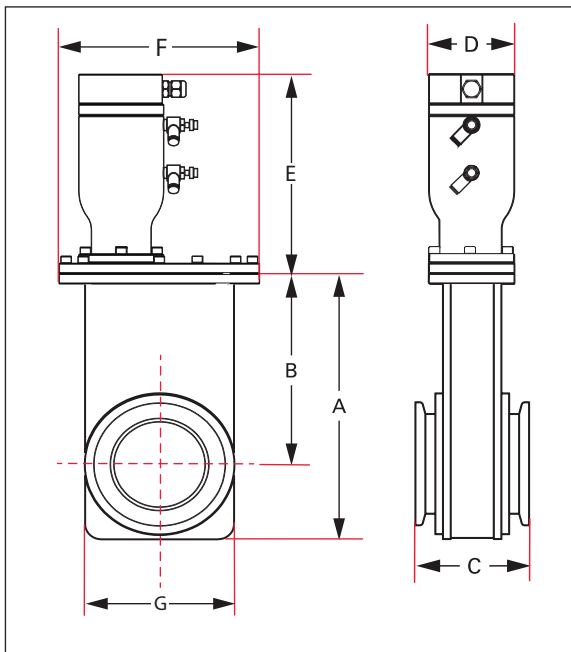
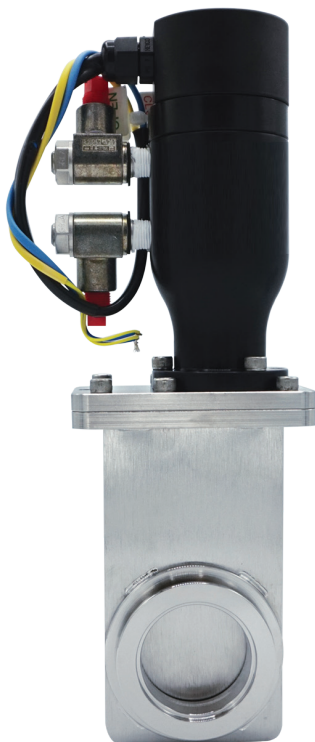


# GVP series pneumatic isolation linear gate valve

## Double acting, DN 16 ISO-KF to DN 50 ISO-KF with position indicator and optional pilot valve



- Isolation valve intended for use in HV applications
  - Ultra-slim profile
  - Smaller volume results in lower outgassing and faster pumpdown
  - 304SS bodies are vacuum furnace brazed to 1100 °C at 10<sup>-6</sup> mbar prior to being electropolished inside and out
  - Welded AM-350 bellows with short stroke for longer cycle life
  - Can be installed and operated in any orientation
  - Bolt length 6.4 mm shorter than the thickness of both mating flanges, is recommended to prevent damaging the body and compromising the gate seal
  - Carriage assembly and actuator can be removed for inspection and maintenance without disassembling the system
  - Lock-over center allows valve to remain in the closed position in the event air pressure is lost
  - Position indicators supplied with 381 mm electrical leads
  - Service life of 100,000 operating cycles
  - Additional o-ring compounds available
  - Heaters and insulators available
- PV= pilot valve



Dimensions Key	DN 16 ISO-KF	DN 40 ISO-KF	DN 50 ISO-KF
A	61 mm	119 mm	142 mm
B	44 mm	86 mm	105 mm
C	75.2 mm	50.6 mm	50.6 mm
D	25 mm	50 mm	50 mm
E	65 mm	134 mm	134 mm
F	48 mm	84 mm	97 mm
G	33 mm	62 mm	75 mm

### Order number valves

Description	DN 16 ISO-KF	DN 40 ISO-KF	DN 50 ISO-KF
Isolation gate valve, microswitch	<b>GVP-S02130</b>	<b>GVP-S04130</b>	<b>GVP-S05130</b>
Pneumatic, microswitch, 24V DC PV	<b>GVP-S02132</b>	<b>GVP-S04132</b>	<b>GVP-S05132</b>
Pneumatic, reed switch	<b>GVP-S02140</b>	<b>GVP-S04140</b>	<b>GVP-S05140</b>
Pneumatic, reed switch, 24V DC PV	<b>GVP-S02142</b>	<b>GVP-S04142</b>	<b>GVP-S05142</b>

### O-ring compound options

Compound	Min./Max temp. range
FKM (standard)	-29°C to 204°C
Kalrez	-50°C to 316°C
Chemraz	-30°C to 210°C
Silicone	-50°C to 232°C

### Order number pilot valve kit

Description	Order number
24V DC	<b>GVP-S22</b>

Pilot valve is factory installed when selected at time of order or can be added on-site when purchased as a kit. Supplied with 450 mm electrical leads.

# GVP series pneumatic isolation linear gate valve

## Double acting, DN 16 ISO-KF to DN 50 ISO-KF with position indicator and optional pilot valve

Technical data	DN 16 ISO-KF	DN 40 ISO-KF	DN 50 ISO-KF
Operating supply pressure:	65 to 85 psig (4.5 to 6 bar)	65 to 85 psig (4.5 to 6 bar)	65 to 85 psig (4.5 to 6 bar)
Maximum pressure at opening:	20 mbar	20 mbar	20 mbar
Differential pressure:	1000 mbar	1000 mbar	1000 mbar
Vacuum range:	1000 - 10 <sup>-9</sup> mbar	1000 - 10 <sup>-9</sup> mbar	1000 - 10 <sup>-9</sup> mbar
Helium leak rate	≤ 2 · 10 <sup>-9</sup> mbar	≤ 2 · 10 <sup>-9</sup> mbar	≤ 2 · 10 <sup>-9</sup> mbar
Cycle time (open/closed):	1.5-2 sec	1.5-2 sec	1.5-2 sec
Conductance for molecular flow:	12 l/s	88 l/s	317 l/s
Weight:	1 kg	5 kg	6 kg
<b>Maximum temp with FKM seals*</b>			
Sustained:	≤150 °C	≤150 °C	≤150 °C
<b>Bakeout temperature*</b>			
Actuator:	60 °C	60 °C	60 °C
Housing:	150 °C	150 °C	150 °C
<b>Seal*</b>			
Gate seal:	FKM	FKM	FKM
Bonnet seal:	FKM	FKM	FKM

\*FKM o-rings standard. See o-ring compound options

### Order number kits

Description	DN 16 ISO-KF	DN 40 ISO-KF	DN 50 ISO-KF
Seal kit	<b>GV-062-95</b>	<b>GV-150-95</b>	<b>GV-200-95</b>
Bellows kit	<b>GV-062-16</b>	<b>GV-150-16</b>	<b>GV-200-16</b>