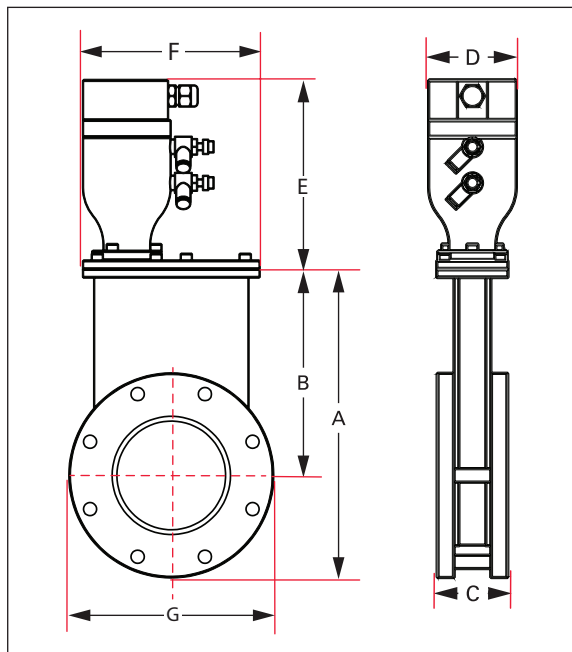


GVP series pneumatic isolation linear gate valve

Double acting, DN 63 ISO-F to DN 160 ISO-F with position indicator and optional pilot valve



- Isolation valve intended for use in HV applications
 - Ultra-slim profile
 - Smaller volume results in lower outgassing and faster pumpdown
 - Larger sizes have a unique feature in the actuator, which dampens vibration at opening
 - 304SS bodies are vacuum furnace brazed to 1100 °C at 10⁻⁶ mbar prior to being electropolished inside and out
 - Welded AM-350 bellows with short stroke for longer cycle life
 - Can be installed and operated in any orientation
 - Bolt length 6.4 mm shorter than the thickness of both mating flanges, is recommended to prevent damaging the body and compromising to the gate seal
 - Carriage assembly and actuator can be removed for inspection and maintenance without disassembling the system
 - Lock-over center allows valve to remain in the closed position in the event air pressure is lost
 - Position indicators supplied with 381 mm electrical leads
 - Service life of 100,000 operating cycles
 - Additional o-ring compounds available
 - Heaters and insulators available
- PV= pilot valve

Dimensions Key	DN 63 ISO-F	DN 80 ISO-F	DN 100 ISO-F	DN 160 ISO-F
A	165 mm	196 mm	273 mm	357 mm
B	122 mm	147 mm	207 mm	270 mm
C	51.6 mm	50 mm	61.2 mm	59.9 mm
D	62 mm	62 mm	75 mm	75 mm
E	134 mm	134 mm	177 mm	177 mm
F	111 mm	125 mm	178 mm	222 mm
G	89 mm	109 mm	144 mm	192 mm



Order number valves

Description	DN 63 ISO-F	DN 80 ISO-F	DN 100 ISO-F	DN 160 ISO-F
Isolation gate valve, microswitch	GVP-S06330	GVP-S07330	GVP-S08330	GVP-S10330
Pneumatic, microswitch, 24V DC PV	GVP-S06332	GVP-S07332	GVP-S08332	GVP-S10332
Pneumatic, reed switch	GVP-S06340	GVP-S07340	GVP-S08340	GVP-S10340
Pneumatic, reed switch, 24V DC PV	GVP-S06342	GVP-S07342	GVP-S08342	GVP-S10342

O-ring compound options

Compound	Min./Max temp. range
FKM (standard)	-29°C to 204°C
Kalrez	-50°C to 316°C
Chemraz	-30°C to 210°C
Silicone	-50°C to 232°C

Order number pilot valve kit

Description	Order number
24V DC	GVP-S22

Pilot valve is factory installed when selected at time of order or can be added on-site when purchased as a kit. Supplied with 450 mm electrical leads.

GVP series pneumatic isolation linear gate valve

Double acting, DN 63 ISO-F to DN 160 ISO-F with position indicator and optional pilot valve

Technical data	DN 63 ISO-F	DN 80 ISO-F	DN 100 ISO-F	DN 160 ISO-F
Operating supply pressure:	65 to 85 psig (4.5 to 6 bar)	65 to 85 psig (4.5 to 6 bar)	65 to 85 psig (4.5 to 6 bar)	65 to 85 psig (4.5 to 6 bar)
Maximum pressure at opening:	20 mbar	20 mbar	20 mbar	20 mbar
Differential pressure:	1000 mbar	1000 mbar	1000 mbar	1000 mbar
Vacuum range:	1000 - 10 ⁻⁹ mbar	1000 - 10 ⁻⁹ mbar	1000 - 10 ⁻⁹ mbar	1000 - 10 ⁻⁹ mbar
Helium leak rate	≤ 2 · 10 ⁻⁹ mbar	≤ 2 · 10 ⁻⁹ mbar	≤ 2 · 10 ⁻⁹ mbar	≤ 2 · 10 ⁻⁹ mbar
Cycle time (open/closed):	1.5 - 2 sec	1.5 - 2 sec	2.5 - 3 sec	2.5 - 3 sec
Conductance for molecular flow:	610 l/s	1070 l/s	2100 l/s	7100 l/s
Weight:	8 kg	10 kg	15 kg	23 kg
Maximum temp with FKM seals*				
Sustained:	≤150 °C	≤150 °C	≤150 °C	≤150 °C
Bakeout temperature*				
Actuator:	60 °C	60 °C	60 °C	60 °C
Housing:	150 °C	150 °C	150 °C	150 °C
Seal*				
Gate seal:	FKM	FKM	FKM	FKM
Bonnet seal:	FKM	FKM	FKM	FKM

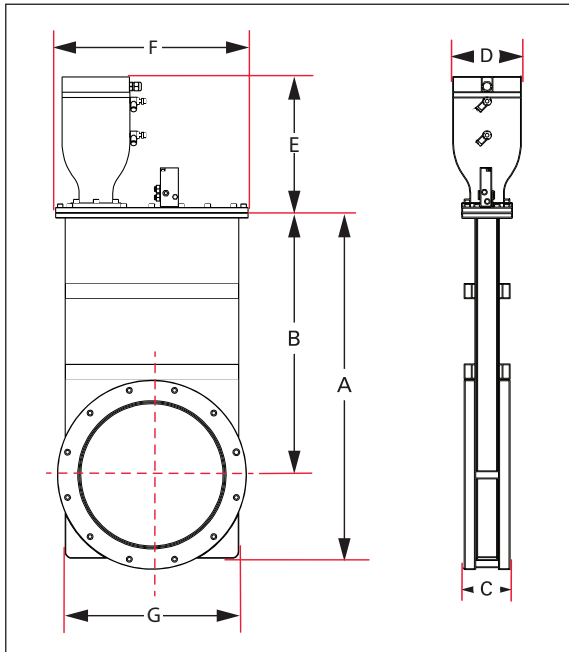
*FKM o-rings standard. See o-ring compound options

Order number kits

Description	DN 63 ISO-F	DN 80 ISO-F	DN 100 ISO-F	DN 160 ISO-F
Seal kit	GV-250-95	GV-300-95	GV-400-95	GV-600-95
Bellows kit	GV-250-16	GV-300-16	GV-400-16	GV-600-16

GVP series pneumatic isolation linear gate valve

Double acting, DN 200 ISO-F to DN 500 ISO-F with position indicator and optional pilot valve



- Isolation valve intended for use in HV applications
- Ultra-slim profile
- Smaller volume results in lower outgassing and faster pumpdown
- Larger sizes have a unique feature in the actuator, which dampens vibration at opening
- 304SS bodies are vacuum furnace brazed to 1100 °C at 10⁻⁶ mbar prior to being electropolished inside and out
- Welded AM-350 bellows with short stroke for longer cycle life
- Can be installed and operated in any orientation
- Bolt length 6.4 mm shorter than the thickness of both mating flanges, is recommended to prevent damaging the body and compromising to the gate seal
- Carriage assembly and actuator can be removed for inspection and maintenance without disassembling the system
- Lock-over center allows valve to remain in the closed position in the event air pressure is lost
- Position indicators supplied with 381 mm electrical leads
- Service life of 100,000 operating cycles
- Additional o-ring compounds available
- Heaters and insulators available

PV= pilot valve

Dimensions Key	DN 200 ISO-F	DN 250 ISO-F	DN 320 ISO-F	DN 400 ISO-F	DN 500 ISO-F
A	468 mm	611 mm	734 mm	961.4 mm	1212 mm
B	354 mm	465 mm	560 mm	731.3 mm	918.3 mm
C	68 mm	80 mm	80 mm	97.8 mm	121.2 mm
D	75 mm	121 mm	121 mm	176.5 mm	176.5 mm
E	177 mm	241 mm	241 mm	267 mm	354.5 mm
F	286 mm	341 mm	404 mm	527.1 mm	658 mm
G	255 mm	305 mm	363 mm	473.7 mm	607 mm



Order number valves

Description	DN 200 ISO-F	DN 250 ISO-F	DN 320 ISO-F	DN 400 ISO-F	DN 500 ISO-F
Isolation gate valve, microswitch	GVP-S11330	GVP-S12330	GVP-S13330	GVP-S15330	GVP-S16330
Pneumatic, microswitch, 24V DC PV	GVP-S11332	GVP-S12332	GVP-S13332	GVP-S15332	GVP-S16332
Pneumatic, reed switch	GVP-S11340	GVP-S12340	GVP-S13340	GVP-S15340	GVP-S16340
Pneumatic, reed switch, 24V DC PV	GVP-S11342	GVP-S12342	GVP-S13342	GVP-S15342	GVP-S16342

O-ring compound options

Compound	Min./Max temp. range
FKM (standard)	-29°C to 204°C
Kalrez	-50°C to 316°C
Chemraz	-30°C to 210°C
Silicone	-50°C to 232°C

Order number pilot valve kit

Description	Order number
24V DC	GVP-S22

Pilot valve is factory installed when selected at time of order or can be added on-site when purchased as a kit. Supplied with 450 mm electrical leads.

GVP series pneumatic isolation linear gate valve

Double acting, DN 200 ISO-F to DN 500 ISO-F with position indicator and optional pilot valve

Technical data	DN 200 ISO-F	DN 250 ISO-F	DN 320 ISO-F	DN 400 ISO-F	DN 500 ISO-F
Operating supply pressure:	65 to 85 psig (4.5 to 6 bar)	65 to 85 psig (4.5 to 6 bar)	65 to 85 psig (4.5 to 6 bar)	65 to 85 psig (4.5 to 6 bar)	65 to 85 psig (4.5 to 6 bar)
Maximum pressure at opening:	20 mbar	20 mbar	20 mbar	20 mbar	20 mbar
Differential pressure:	1000 mbar	1000 mbar	1000 mbar	1000 mbar	1000 mbar
Vacuum range:	1000 - 10 ⁻⁹ mbar	1000 - 10 ⁻⁹ mbar	1000 - 10 ⁻⁹ mbar	1000 - 10 ⁻⁹ mbar	1000 - 10 ⁻⁹ mbar
Helium leak rate	≤ 2 · 10 ⁻⁹ mbar	≤ 2 · 10 ⁻⁹ mbar	≤ 2 · 10 ⁻⁹ mbar	≤ 2 · 10 ⁻⁹ mbar	≤ 2 · 10 ⁻⁹ mbar
Cycle time (open/closed):	2.5 - 3 sec	4.5 - 5 sec	4.5 - 5 sec	7 - 10 sec	7 - 10 sec
Conductance for molecular flow:	14700 l/s	26900 l/s	42800 l/s	75000 l/s	132000 l/s
Weight:	34 kg	73 kg	77 kg	189 kg	309 kg
Maximum temp with FKM seals*					
Sustained:	≤150 °C	≤150 °C	≤150 °C	≤150 °C	≤150 °C
Bakeout temperature*					
Actuator:	60 °C	60 °C	60 °C	60 °C	60 °C
Housing:	150 °C	150 °C	150 °C	150 °C	150 °C
Seal*					
Gate seal:	FKM	FKM	FKM	FKM	FKM
Bonnet seal:	FKM	FKM	FKM	FKM	FKM

*FKM o-rings standard. See o-ring compound options

Order number kits

Description	DN 200 ISO-F	DN 250 ISO-F	DN 320 ISO-F	DN 400 ISO-F	DN 500 ISO-F
Seal kit	GV-800-95	GV-1000-95	GV-1200-95	GV-1600-95	GV-2000-95
Bellows kit	GV-800-16	GV-1000-16	GV-1200-16	GV-1600-16	GV-2000-16