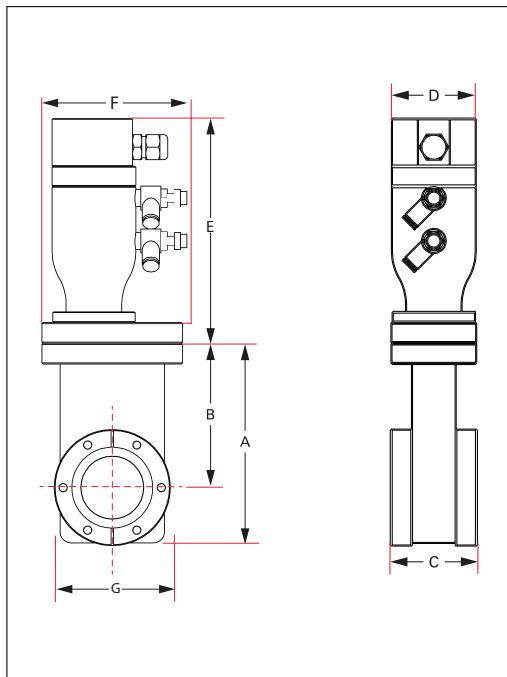


GVMP series pneumatic isolation linear gate valve

Double acting, DN 16 CF to DN 63 CF with position indicator and optional pilot valve



- Isolation valve intended for use in UHV applications
 - Copper bonnet seal
 - Ultra-slim profile
 - Smaller volume results in lower outgassing and faster pumpdown
 - Larger sizes have a unique feature in the actuator, which dampens vibration at opening
 - 304SS bodies are vacuum furnace brazed to 1100 °C at 10⁻⁶ mbar prior to being electropolished inside and out
 - Welded AM-350 bellows with short stroke for longer cycle life
 - Can be installed and operated in any orientation
 - Conflat flanges with metric top bolt holes
 - Bolt length 6.4mm shorter than the thickness of both mating flanges, is recommended to prevent damaging the body and compromising the gate seal.
 - Carriage assembly and actuator can be removed for inspection and maintenance without disassembling the system
 - Lock-over center allows valve to remain in the closed position in the event air pressure is lost
 - Position indicators supplied with 381 mm electrical leads
 - Service life of 100,000 operating cycles
 - Additional o-ring compounds available
 - Heaters and insulators available
- PV= pilot valve



Dimensions Key	DN 16 CF	DN 40 CF	DN 63 CF
A	61 mm	119 mm	165 mm
B	44 mm	86 mm	122 mm
C	40 mm	52 mm	61 mm
D	25 mm	50 mm	50 mm
E	65 mm	134 mm	134 mm
F	48 mm	84 mm	111 mm
G	33 mm	62 mm	89 mm

Order number valves

Description	DN 16 CF	DN 40 CF	DN 63 CF
Pneumatic, microswitch	GVMP-S02530	GVMP-S04530	GVMP-S06530
Pneumatic, microswitch, 24V DC PV	GVMP-S02532	GVMP-S04532	GVMP-S06532
Pneumatic, reed switch	GVMP-S02540	GVMP-S04540	GVMP-S06540
Pneumatic, reed switch, 24V DC PV	GVMP-S02542	GVMP-S04542	GVMP-S06542

O-ring compound options

Compound	Min./max. temp. range
FKM (standard)	-29 °C to 204 °C
Kalrez	-30 °C to 316 °C
Chemraz	-40 °C to 121 °C
Silicone	-50 °C to 150 °C

Order number pilot valve kit

Description	Order number
24V DC	GVP-S22

Pilot valve is factory installed when selected at time of order or can be added on-site when purchased as a kit. Supplied with 450 mm electrical leads.

GVMP series pneumatic isolation linear gate valve

Double acting, DN 16 CF to DN 63 CF with position indicator and optional pilot valve

Technical data	DN 16 CF	DN 40 CF	DN 63 CF
Operating supply pressure:	65 to 85 psig (4.5 to 6 bar)	65 to 85 psig (4.5 to 6 bar)	65 to 85 psig (4.5 to 6 bar)
Maximum pressure at opening:	20 mbar	20 mbar	20 mbar
Differential pressure:	1000 mbar	1000 mbar	1000 mbar
Vacuum range:	1000 - 10 ⁻¹⁰ mbar	1000 - 10 ⁻¹⁰ mbar	1000 - 10 ⁻¹⁰ mbar
Helium leak rate	≤ 2 · 10 ⁻⁹ mbar	≤ 2 · 10 ⁻⁹ mbar	≤ 2 · 10 ⁻⁹ mbar
Conductance for molecular flow:	12 l/s	88 l/s	610 l/s
Weight:	1 kg	5 kg	8 kg
Maximum temp with FKM seals*			
Sustained:	≤200 °C	≤200 °C	≤200 °C
Bakeout temperature*			
Actuator:	60 °C	60 °C	60 °C
Housing (CF flanges, gate in open position):	200 °C	200 °C	200 °C
Seal*			
Gate seal:	FKM	FKM	FKM
Bonnet seal:	copper	copper	copper

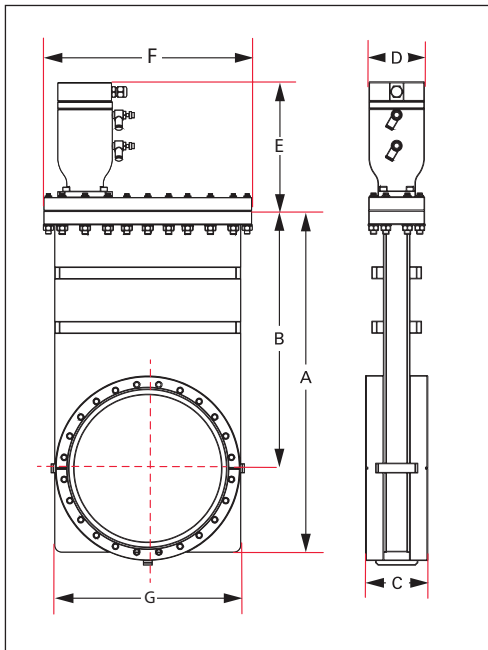
*FKM o-rings standard. See o-ring compound options

Order number kits

Description	DN 16 CF	DN 40 CF	DN 63 CF
Seal kit	GVM-062-95	GVM-150-95	GVM-250-95
Bellows kit	GVM-16	GVM-150-16	GVM-250-16

GVMP series pneumatic isolation linear gate valve

Double acting, DN 100 CF to DN 350 CF with position indicator and optional pilot valve



- Isolation valve intended for use in UHV applications
 - Copper bonnet seal
 - Ultra-slim profile
 - Smaller volume results in lower outgassing and faster pumpdown
 - Larger sizes have a unique feature in the actuator, which dampens vibration at opening
 - 304SS bodies are vacuum furnace brazed to 1100 °C at 10⁻⁶ mbar prior to being electropolished inside and out
 - Welded AM-350 bellows with short stroke for longer cycle life
 - Can be installed and operated in any orientation
 - Conflat flanges with metric top bolt holes
 - Bolt length 6.4mm shorter than the thickness of both mating flanges, is recommended to prevent damaging the body and compromising the gate seal.
 - Carriage assembly and actuator can be removed for inspection and maintenance without disassembling the system
 - Lock-over center allows valve to remain in the closed position in the event air pressure is lost
 - Position indicators supplied with 381 mm electrical leads
 - Service life of 100,000 operating cycles
 - Additional o-ring compounds available
 - Heaters and insulators available
- PV= pilot valve

Dimensions Key	DN 100 CF	DN 160 CF	DN 200 CF	DN 250 CF	DN 320 CF	DN 350 CF
A	273 mm	357 mm	468 mm	611 mm	734 mm	819 mm
B	207 mm	270 mm	354 mm	465 mm	560 mm	607 mm
C	75.4 mm	81 mm	85 mm	93 mm	99 mm	99 mm
D	75 mm	75 mm	75 mm	121 mm	121 mm	138 mm
E	177 mm	177 mm	177 mm	241 mm	241 mm	238 mm
F	178 mm	222 mm	286 mm	341 mm	404 mm	455 mm
G	144 mm	192 mm	255 mm	305 mm	363 mm	422 mm

Order number valves

Description	DN 100 CF	DN 160 CF	DN 200 CF	DN 250 CF	DN 320 CF	DN 350 CF
Pneumatic, microswitch	GVMP-S08530	GVMP-S10530	GVMP-S11530	GVMP-S12530	GVMP-S13530	GVMP-S14530
Pneumatic, microswitch, 24V DC PV	GVMP-S08532	GVMP-S10532	GVMP-S11532	GVMP-S12532	GVMP-S13532	GVMP-S14532
Pneumatic, reed switch	GVMP-S08540	GVMP-S10540	GVMP-S11540	GVMP-S12540	GVMP-S13540	GVMP-S14540
Pneumatic, reed switch, 24V DC PV	GVMP-S08542	GVMP-S10542	GVMP-S11542	GVMP-S12542	GVMP-S13542	GVMP-S14542

O-ring compound options

Compound	Min./max. temp. range
FKM (standard)	-29 °C to 204 °C
FFKM	-30 °C to 316 °C
NBR	-40 °C to 121 °C
EPDM	-50 °C to 150 °C

Order number pilot valve kit

Description	Order number
24V DC	GVP-S22

Pilot valve is factory installed when selected at time of order or can be added on-site when purchased as a kit. Supplied with 450 mm electrical leads.

GVMP series pneumatic isolation linear gate valve

Double acting, DN 100 CF to DN 350 CF with position indicator and optional pilot valve

Technical data	DN 100 CF	DN 160 CF	DN 200 CF	DN 250 CF	DN 320 CF	DN 350 CF
Operating supply pressure:	65 to 85 psig (4.5 to 6 bar)	65 to 85 psig (4.5 to 6 bar)	65 to 85 psig (4.5 to 6 bar)	65 to 85 psig (4.5 to 6 bar)	65 to 85 psig (4.5 to 6 bar)	65 to 85 psig (4.5 to 6 bar)
Maximum pressure at opening:	20 mbar	20 mbar	20 mbar	20 mbar	20 mbar	20 mbar
Differential pressure:	1000 mbar	1000 mbar	1000 mbar	1000 mbar	1000 mbar	1000 mbar
Vacuum range:	1000 to 10 ⁻¹⁰ mbar	1000 to 10 ⁻¹⁰ mbar	1000 to 10 ⁻¹⁰ mbar	1000 to 10 ⁻¹⁰ mbar	1000 to 10 ⁻¹⁰ mbar	1000 to 10 ⁻¹⁰ mbar
Helium leak rate	≤ 2 · 10 ⁻⁹ mbar	≤ 2 · 10 ⁻⁹ mbar	≤ 2 · 10 ⁻⁹ mbar	≤ 2 · 10 ⁻⁹ mbar	≤ 2 · 10 ⁻⁹ mbar	≤ 2 · 10 ⁻⁹ mbar
Conductance for molecular flow:	2100 l/s	7100 l/s	14700 l/s	26900 l/s	42800 l/s	50966 l/s
Weight:	15 kg	23 kg	34 kg	73 kg	77 kg	153 kg
Maximum temp with FKM seals*						
Sustained:	≤200 °C	≤200 °C	≤200 °C	≤200 °C	≤200 °C	≤200 °C
Bakeout temperature*						
Actuator:	60 °C	60 °C	60 °C	60 °C	60 °C	60 °C
Housing (CF flanges, gate in open position):	200 °C	200 °C	200 °C	200 °C	200 °C	200 °C
Seal*						
Gate seal:	FKM	FKM	FKM	FKM	FKM	FKM
Bonnet seal:	copper	copper	copper	copper	copper	copper

*FKM o-rings standard. See o-ring compound options

Order number kits

Description	DN 100 CF	DN 160 CF	DN 200 CF	DN 250 CF	DN 320 CF	DN 350 CF
Seal kit	GVM-400-95	GVM-600-95	GVM-800-95	GVM-1000-95	GVM-1200-95	GVM-1400-95
Bellows kit	GVM-400-16	GVM-600-16	GVM-800-16	GVM-1000-16	GVM-1200-16	GVM-1400-16

