

## Okta 8000

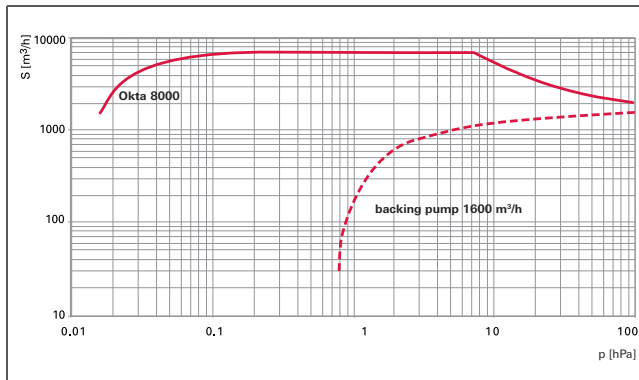


Roots pump with a pumping speed of 3350 to 12550 m<sup>3</sup>/h:

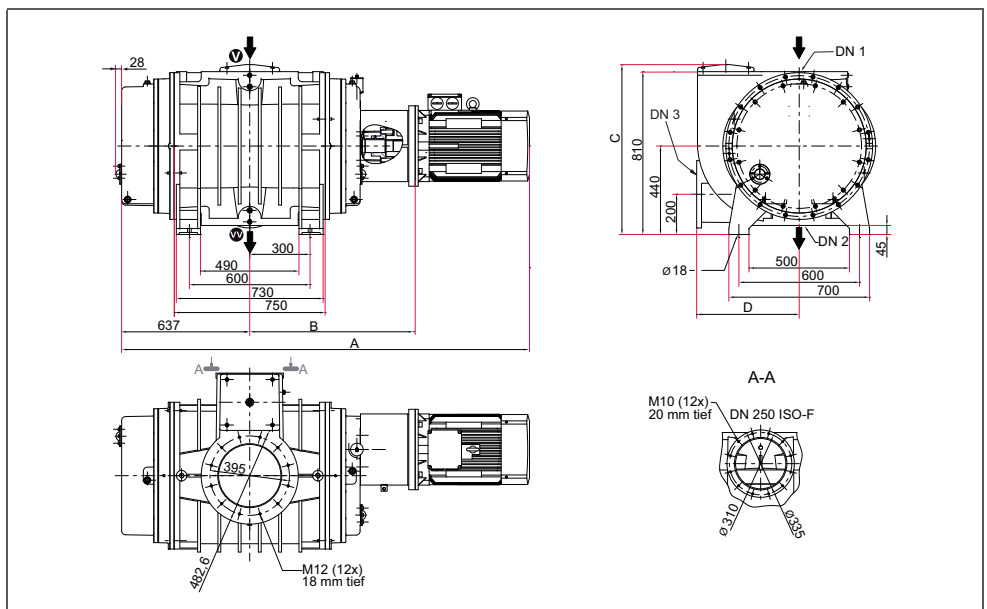
- High-performance Roots pump with a pumping speed of 3350 to 12550 m<sup>3</sup>/h
- For mains voltage: 400 V, 50 Hz respectively 400/690 V, 50 Hz
- No thermal overload thanks to integral overflow valve
- For applications in the low and medium vacuum

Okta = Standard pumps with radial shaft sealing rings, housing parts made of gray cast iron or nodular graphite cast iron, flange connection in accordance with ISO-F

### Pumping speed



### Dimensions (in mm)



	Okta 8000, Roots pump, 400/690 V, 50 Hz ; 460 V, 60 Hz	Okta 8000, Roots pump without motor
A	2156 mm	-
B	791 mm	791 mm
C	845 mm	845 mm
D	510 mm	510 mm
<b>Connections</b>		
DN 1	DN 320 ISO-F	DN 320 ISO-F
DN 2	DN 320 ISO-F	DN 320 ISO-F
DN 3	DN 250 ISO-F	DN 250 ISO-F

Technical data	Okta 8000, Roots pump, 400/690 V, 50 Hz ; 460 V, 60 Hz	Okta 8000, Roots pump without motor
Flange (out)	DN 320 ISO-F	DN 320 ISO-F
Flange (in)	DN 320 ISO-F	DN 320 ISO-F
Version	Standard with motor	Standard without motor
Operating fluid	P3	P3
Operating fluid filling	21 l	21 l
Differential pressure at the overflow valve	23 hPa	23 hPa
Rotation speed	from 1200 to 2250 min <sup>-1</sup>	from 1200 to 2250 min <sup>-1</sup>
Rotation speed max.	2250 min <sup>-1</sup>	2250 min <sup>-1</sup>
Rotation speed min.	1200 min <sup>-1</sup>	1200 min <sup>-1</sup>
Emission sound pressure level (EN ISO 2151) at intake pressure 10 hPa	78 dB (A)	78 dB (A)
Emission sound pressure level (EN ISO 2151) at intake pressure 1 hPa	74 dB (A)	74 dB (A)
Weight: with motor	1660 kg	
Weight: without motor		1480 kg
Cooling method, standard	Air	Air
Leak rate	1 · 10 <sup>-3</sup> Pa m <sup>3</sup> /s	1 · 10 <sup>-3</sup> Pa m <sup>3</sup> /s
Motor protection	3TF	
Nominal rotation speed at 50 Hz	1500 min <sup>-1</sup>	1500 min <sup>-1</sup>
Nominal rotation speed at 60 Hz	1800 min <sup>-1</sup>	1800 min <sup>-1</sup>
Rated power 50 Hz	22 kW	
Rated power 60 Hz	25 kW	
Nominal pumping speed	3350-12550 m <sup>3</sup> /h	3350-12550 m <sup>3</sup> /h
Nominal pumping speed at 50 Hz	8370 m <sup>3</sup> /h	8370 m <sup>3</sup> /h
Nominal pumping speed at 60 Hz	10040 m <sup>3</sup> /h	10040 m <sup>3</sup> /h
Mains requirement: voltage 50 Hz	400/690 V	
Mains requirement: voltage 60 Hz	460 V	
Protection category	IP 55	IP 55
Ambient temperature	5-40 °C	5-40 °C
<b>Order number</b>		
Okta 8000	PP W80 000	PP W80 001
<b>Accessories</b>		
Splinter shield for Okta 8000/Okta 8000 G	PP 030 152 -X	PP 030 152 -X

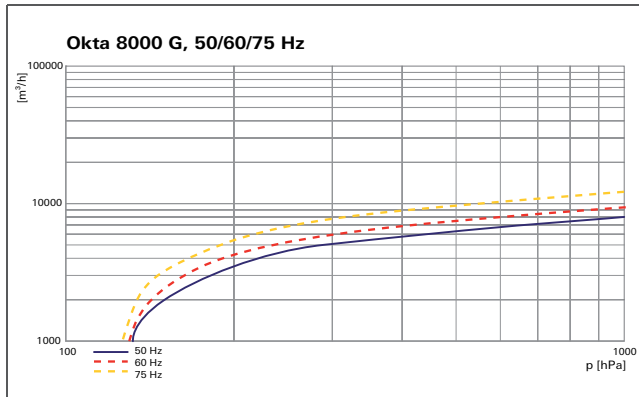
## Okta 8000 G

Gas-cooled Roots pump with a pumping speed range from 4000 to 12000 m<sup>3</sup>/h

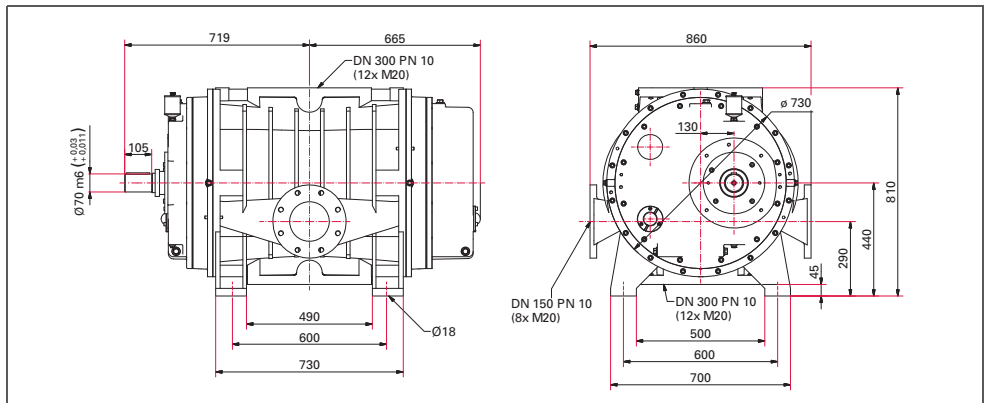


- High-performance gas cooled roots pump with a pumping speed from 4000 to 12000 m<sup>3</sup>/h
- For applications in the low and medium vacuum
- Single stage pressure range from 130 to 1013 hPa, in series with smaller final pressure
- Connection flange DN 300 PN 10
- No thermal overload thanks to gas cooling
- With sealing gas connection
- Customized design and offer for motor, gas cooler, and coupling on request

### Pumping speed



### Dimensions (in mm)



Technical data	Okta 8000 G, gas-cooled Roots pump without motor, DN 300 PN 10
Flange (out)	DN 300 PN 10
Flange (in)	DN 300 PN 10
Dimensions (L x W x H)	1384 x 860 x 810 mm
Operating fluid	P3
Operating fluid filling	21 l
Rotation speed	from 750 to 2250 min <sup>-1</sup>
Rotation speed max.	2250
Rotation speed min.	750
Ultimate pressure without gas ballast	130 hPa
Weight: without motor	1500 kg
Cooling method, standard	gas-cooled
Cooling gas connection	DN 150 PN 10
Leak rate	1 · 10 <sup>-3</sup> Pa m <sup>3</sup> /s
Motor rating	max. 200 kW
Nominal rotation speed at 50 Hz	1500 min <sup>-1</sup>
Nominal rotation speed at 60 Hz	1800 min <sup>-1</sup>
Nominal pumping speed	4000-12000 m <sup>3</sup> /h
Nominal pumping speed at 50 Hz	8000 m <sup>3</sup> /h
Nominal pumping speed at 60 Hz	9600 m <sup>3</sup> /h
Noise level with connected exhaust line	75-105 dB (A)
Protection category	IP 55
Sealing gas	Yes
Ambient temperature	5-40 °C

Order number	
Okta 8000 G	PP G80 001

Accessories	
Splinter shield for Okta 8000 G	PP 070 315 -U