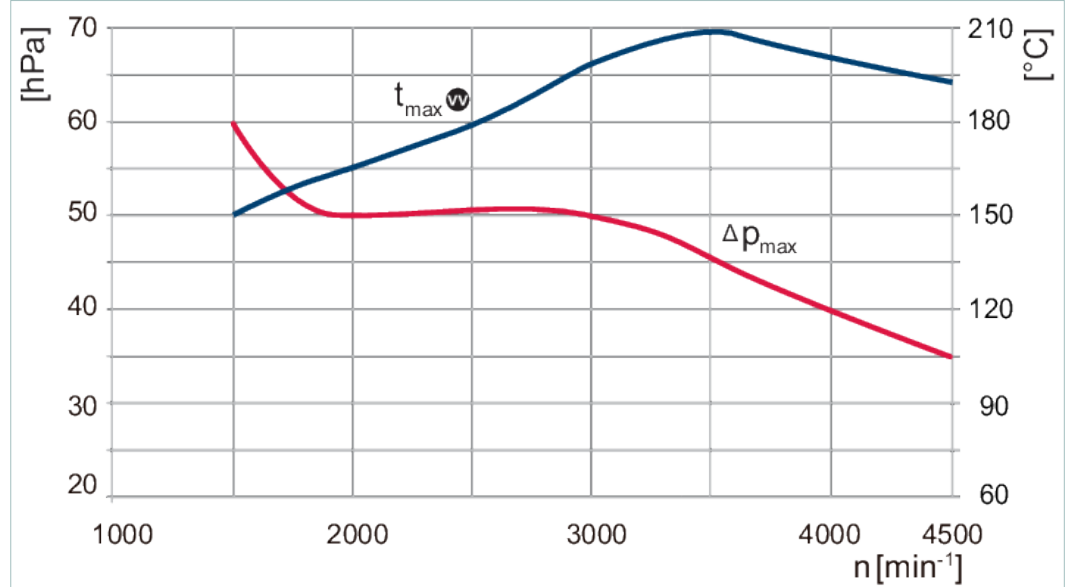
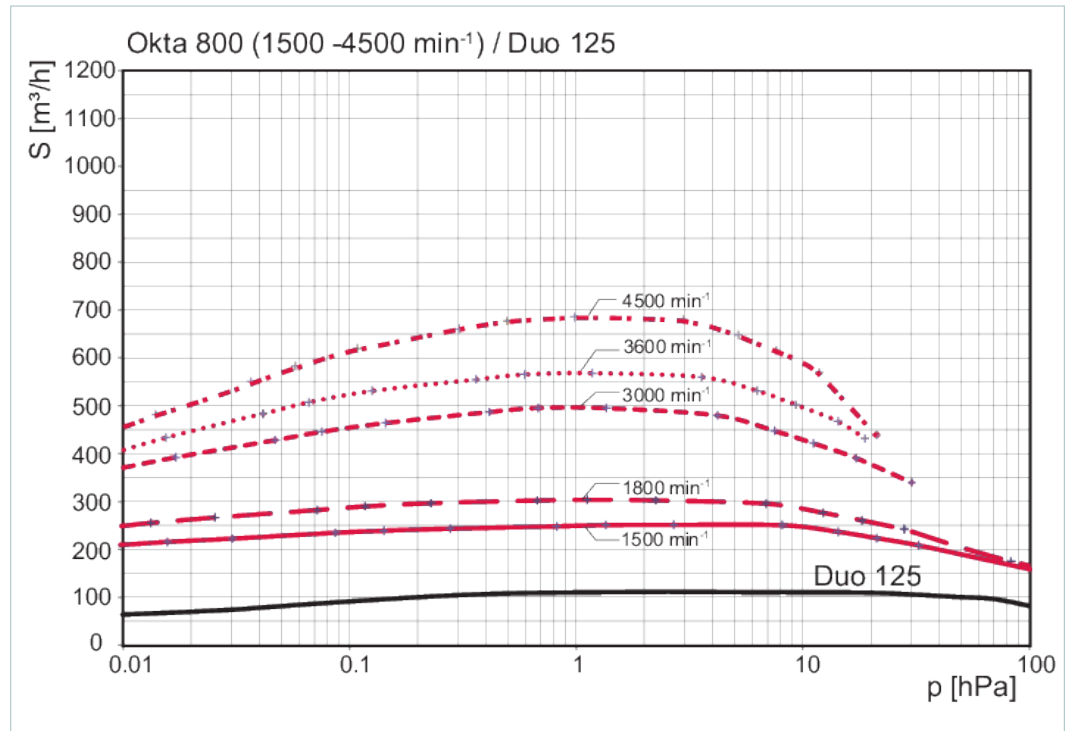




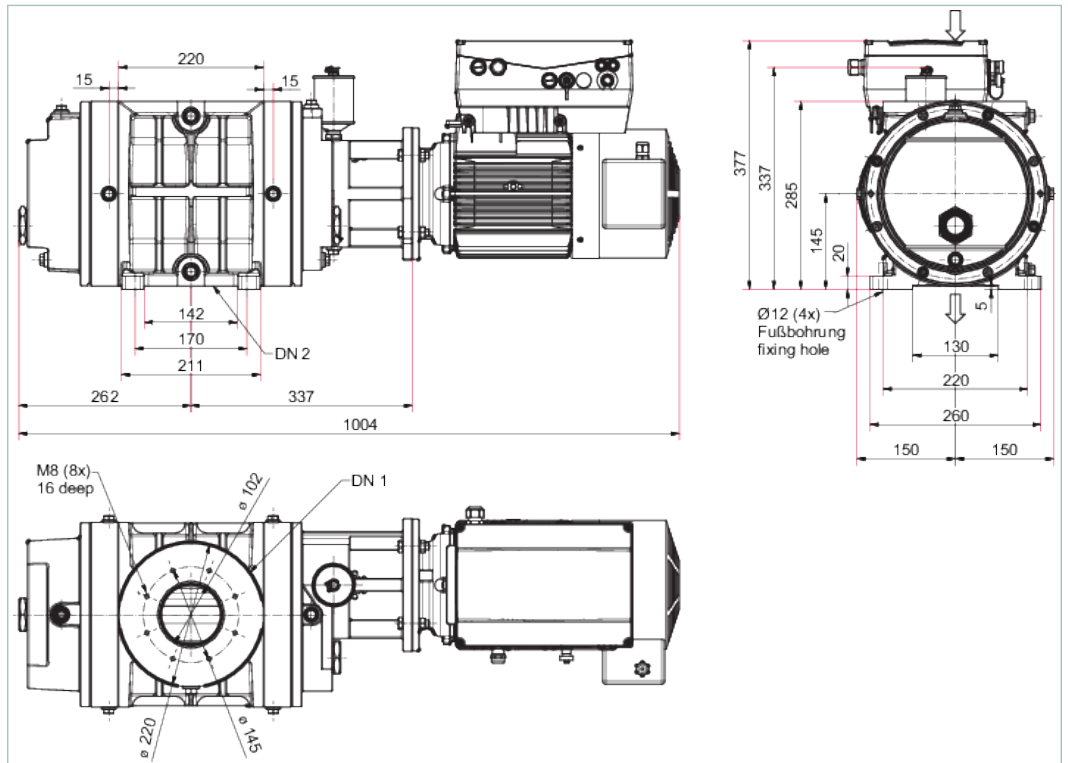
Okta 800, Roots pump, 400-480 V

Okta 800, Roots pump, 400-480 V

- Fast evacuation



Dimensions



| Technical Data | Okta 800, Roots pump, 400-480 V |
|---|--|
| Ambient temperature | 5 - 40 °C |
| Cooling method, standard | Air |
| Differential pressure max. | 60-35 hPa |
| Emission sound pressure level (EN ISO 2151) at intake pressure 10 hPa | 75 dB(A) |
| Flange (in) | DN 100 ISO-F |
| Flange (out) | DN 100 ISO-F |
| Leak rate | $1 \cdot 10^{-3}$ Pa m ³ /s |
| Mains requirement: voltage 50 Hz | 400-480 V |
| Mains requirement: voltage 60 Hz | 400-480 V |
| Operating fluid | P3 |
| Operating fluid filling | 1.5 l |
| Protection category | IP55 |
| Rated power 50 Hz | 3 kW |
| Rated power 60 Hz | 3 kW |
| Rotation speed max. | 4,500 rpm 4,500 min ⁻¹ |
| Version | Standard with motor |
| Weight: with motor | 138 kg 304.23 lb |

| Order number | |
|--------------|------------|
| Okta 800 | PP W34 400 |

| Accessories | |
|---|---------------|
| Adjusting elements for fastening the feet. | |
| Setting elements for foot mounting for Okta 250 / M / Okta 500 / M / Okta 1000 / M, 35 mm | PP 041 454 -T |
| Claw set (Stainless steel) | |
| Claw set (Stainless steel) for Okta 500 / M, DN ISO-K | PP 042 660 -T |
| Claw set (Zinc-plated Steel) | |
| Claw set (Zinc-plated Steel) for Okta 500 / M, DN ISO-K | PP 042 661 -T |
| Claw set (Zinc-plated Steel) * | |
| Claw set (Zinc-plated Steel) * for Okta 500 / M, DN ISO-K | PP 042 662 -T |
| DN ISO-F Blank flange set | |
| Blank flange set for Okta 500 / M, Stainless steel | PP 042 664 -T |
| DN ISO-F Centering ring with outer ring for vacuum flange | |
| Centering ring with outer ring for vacuum flange for Okta 500 / M / Okta 500 G, DN ISO-F | PF 303 110 -T |
| DN ISO-K Blank flange set (Stainless steel) | |
| Blank flange set (Stainless steel) for Okta 500 / M, DN ISO-K | PP 042 665 -T |
| DN PN16/PN10 Blank flange set (Stainless steel) | |
| Blank flange set (Stainless steel) for Okta 500 / M / ATEX, DN PN16/PN10 | PP 042 666 -T |
| DN PN16/PN10 Seal kit (FKM) | |
| Seal kit (FKM) for Okta 500 / M / ATEX, DN PN16/PN10 | PP 042 667 -T |
| Mounting bolts (Stainless steel) | |
| Mounting bolts (Stainless steel) for Okta 500 / M, DN ISO-F | PP 042 655 -T |
| Mounting bolts (Zinc-plated Steel) | |
| Mounting bolts (Zinc-plated Steel) for Okta 500 / M, DN ISO-F | PP 042 645 -T |
| Mounting bolts (Zinc-plated Steel) for Okta 500 / M / ATEX, DN PN16/PN10 | PP 042 663 -T |
| Oil compensating line with oil level monitoring | |
| Oil compensating line with oil level monitoring for Okta 250 / M / Okta 500 / M, G 3/8 (4x), G 1 1/4 (1x) | PP 031 446 -T |
| Operating fluid level monitoring | |
| Oil level monitoring 20-250 V AC for Okta 250 / M / Okta 500 / M / Okta 1000 / M / Okta 2000 / M / Okta 4000 / M / Okta 6000 / M, G 1 1/4 | PK 004 930 -U |
| Oil level monitoring 24 V DC for Okta 250 / M / Okta 500 / M / Okta 1000 / M / Okta 2000 / M / Okta 4000 / M / Okta 6000 / M, G 1 1/4 | PK 005 639 -U |
| Sealing gas kit | |
| Sealing gas kit for Okta 250 / M / Okta 500 / M / Okta 1000 / M / Okta 2000 / M / Okta 4000 / M / Okta 6000 / M / Okta 8000 / Okta 1500 G / Okta 4000 G / Okta 8000 G, G 3/8 (4x) | PP 027 401 -T |
| Splinter shield DN ISO-F | |
| Splinter shield for Okta 500/500 M/500 G | PP 030 149 AX |
| Splinter shield DN PN16/PN10 | |
| Splinter shield for Okta 500 | PP 042 350 -X |
| Sprayer DN ISO-F | |
| Sprayer DN ISO-F for Okta 500 / M / Okta 500 G | PP 042 649 -T |

| Accessories | |
|---------------------------------------|----------------------|
| Sprayer DN PN16/PN10 | |
| Sprayer DN PN16/PN10 for Okta 500 / M | PP 042 650 -T |
| Consumables | |
| P3, mineral oil, 5 l | PK 001 107 -T |
| P3, mineral oil, 20 l | PK 001 108 -T |
| P3, mineral oil, 0.5 l | PK 001 136 -T |

VACUUM SOLUTIONS FROM A SINGLE SOURCE

Pfeiffer Vacuum stands for innovative and custom vacuum solutions worldwide, technological perfection, competent advice and reliable service.

COMPLETE RANGE OF PRODUCTS

From a single component to complex systems:

We are the only supplier of vacuum technology that provides a complete product portfolio.

COMPETENCE IN THEORY AND PRACTICE

Benefit from our know-how and our portfolio of training opportunities!

We support you with your plant layout and provide first-class on-site service worldwide.

Are you looking for a
perfect vacuum solution?
Please contact us:

Pfeiffer Vacuum GmbH
Headquarters · Germany
T +49 6441 802-0
info@pfeiffer-vacuum.de

www.pfeiffer-vacuum.com

All data subject to change without prior notice.

PFEIFFER  **VACUUM**