

Okta 6000



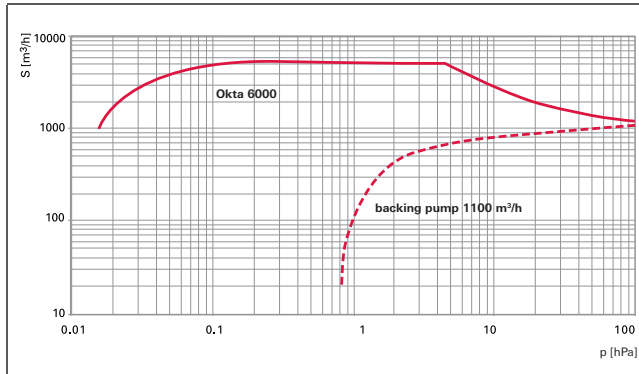
Roots pump with a pumping speed of 3240 to 9730 m³/h:

- High-performance Roots pump with a pumping speed of 3240 to 9730 m³/h
- For mains voltage: 400 V, 50 Hz respectively 460 V, 60 Hz
- No thermal overload thanks to integral overflow valve
- For applications in the low and medium vacuum

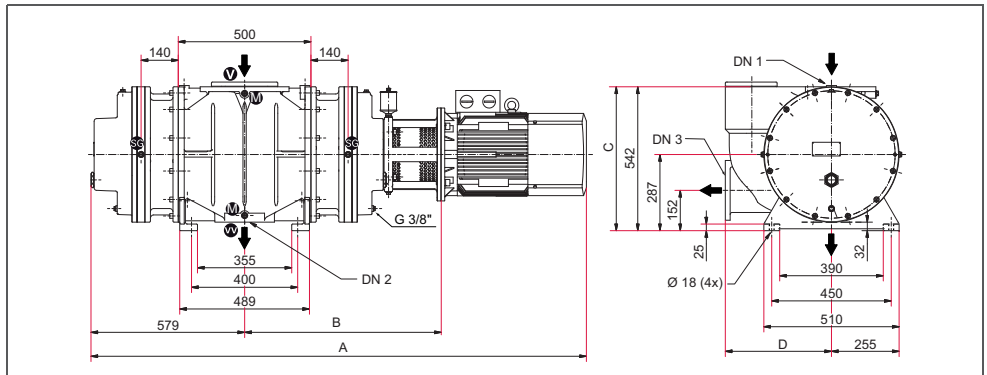
Okta = Standard pumps with radial shaft sealing rings, housing parts made of gray cast iron or nodular graphite cast iron, flange connection in accordance with ISO-F

Okta M = Standard pumps, hermetically sealed thanks to magnetic coupling, housing parts made of gray cast iron or nodular graphite cast iron, flange connection in accordance with ISO-F

Pumping speed



Dimensions (in mm)



	Okta 6000, Roots pump, 400/690 V, 50 Hz ; 460 V, 60 Hz	Okta 6000, Roots pump without motor	Okta 6000 M, Roots pump, 400/690 V, 50 Hz ; 460 V, 60 Hz
A	1867 mm	-	1954 mm
B	741 mm	655 mm	828 mm
C	560 mm	510 mm	560 mm
D	400 mm	390 mm	400 mm
Connections			
DN 1	DN 250 ISO-F	DN 250 ISO-F	DN 250 ISO-F
DN 2	DN 160 ISO-F	DN 160 ISO-F	DN 160 ISO-F
DN 3	DN 160 ISO-F	DN 160 ISO-F	DN 160 ISO-F

Technical data	Okta 6000, Roots pump, 400/690 V, 50 Hz ; 460 V, 60 Hz	Okta 6000, Roots pump without motor	Okta 6000 M, Roots pump, 400/690 V, 50 Hz ; 460 V, 60 Hz
Flange (out)	DN 160 ISO-F	DN 160 ISO-F	DN 160 ISO-F
Flange (in)	DN 250 ISO-F	DN 250 ISO-F	DN 250 ISO-F
Version	Standard with motor	Standard without motor	Standard with motor and magnetic coupling
Operating fluid	P3	P3	P3
Operating fluid filling	6.8 l	6.8 l	6.8 l
Differential pressure at the overflow valve	20 hPa	20 hPa	20 hPa
Rotation speed	from 1500 to 4500 min ⁻¹	from 1500 to 4500 min ⁻¹	from 1500 to 4500 min ⁻¹
Rotation speed max.	4500 min ⁻¹	4500 min ⁻¹	4500 min ⁻¹
Rotation speed min.	1500 min ⁻¹	1500 min ⁻¹	1500 min ⁻¹
Emission sound pressure level (EN ISO 2151) at intake pressure 10 hPa	79 dB (A)	79 dB (A)	79 dB (A)
Emission sound pressure level (EN ISO 2151) at intake pressure 1 hPa	74 dB (A)	74 dB (A)	74 dB (A)
Weight: with motor	840 kg		875 kg
Weight: without motor		715 kg	
Cooling method, standard	Air	Air	Air
Leak rate	1 · 10 ⁻³ Pa m ³ /s	1 · 10 ⁻³ Pa m ³ /s	1 · 10 ⁻⁶ Pa m ³ /s
Motor protection	3TF		3TF
Nominal rotation speed at 50 Hz	3000 min ⁻¹	3000 min ⁻¹	3000 min ⁻¹
Nominal rotation speed at 60 Hz	3600 min ⁻¹	3600 min ⁻¹	3600 min ⁻¹
Rated power 50 Hz	15.0 kW		15.0 kW
Rated power 60 Hz	18.5 kW		18.5 kW
Nominal pumping speed	3240-9730 m ³ /h	3240-9730 m ³ /h	3240-9730 m ³ /h
Nominal pumping speed at 50 Hz	6485 m ³ /h	6485 m ³ /h	6485 m ³ /h
Nominal pumping speed at 60 Hz	7785 m ³ /h	7785 m ³ /h	7785 m ³ /h
Mains requirement: voltage 50 Hz	400/690 V		400/690 V
Mains requirement: voltage 60 Hz	460 V		460 V
Protection category	IP 55	IP 55	IP 55
Ambient temperature	5-40 °C	5-40 °C	5-40 °C

Order number			
Okta 6000	PP W76 000	PP W76 001	PP W77 000

Accessories			
Splinter shield for Okta 4000 / 4000 M / 4000 G / 6000 / 6000 M	PP 031 136 -X	PP 031 136 -X	PP 031 136 -X