



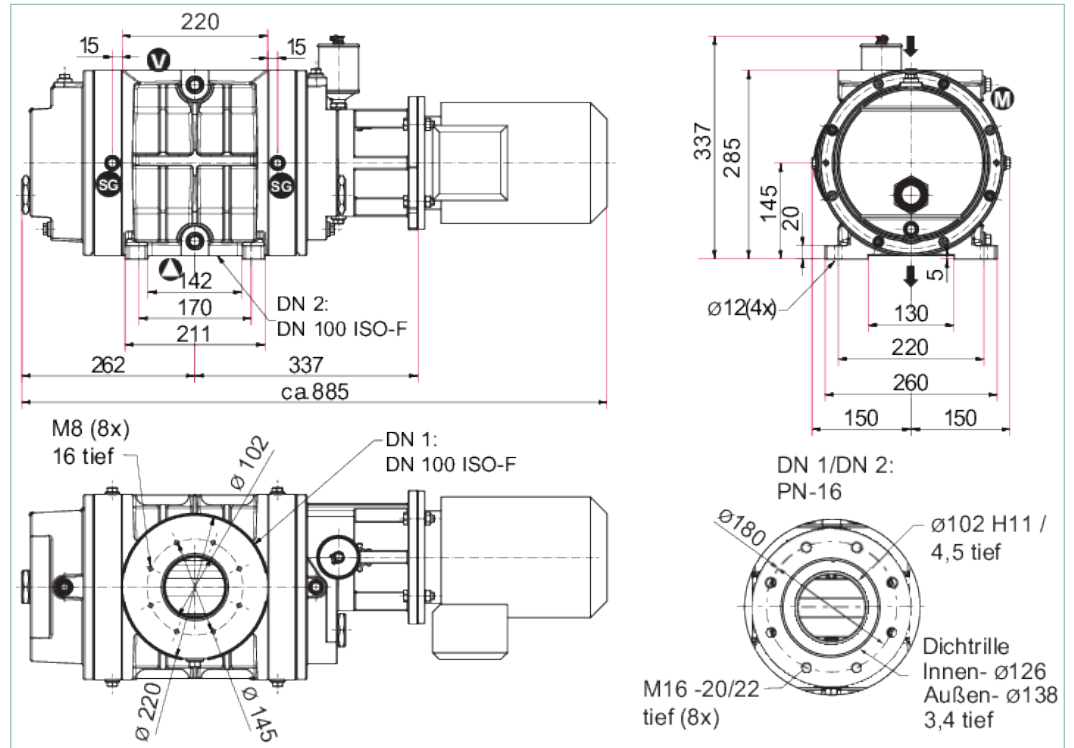
**Okta 600, Roots pump, 230/400 V,
50 Hz; 265/460 V, 60 Hz**



Similar Image

Okta 600, Roots pump, 230/400 V, 50 Hz; 265/460 V, 60 Hz

Dimensions



Technical Data

Okta 600, Roots pump, 230/400 V, 50 Hz; 265/460 V, 60 Hz

Ambient temperature	5 - 40 °C
Cooling method, standard	Air
Differential pressure max.	60–35 hPa
Emission sound pressure level (EN ISO 2151) at intake pressure 10 hPa	75 dB(A)
Flange (in)	DN 100 ISO-F
Flange (out)	DN 100 ISO-F
Leak rate	$1 \cdot 10^{-3}$ Pa m ³ /s
Mains requirement: voltage 50 Hz	230/400 V
Mains requirement: voltage 60 Hz	265/460 V
Operating fluid	P3
Operating fluid filling	1.5 l
Protection category	IP 55
Rated power 50 Hz	1.5 kW
Rated power 60 Hz	1.8 kW
Rotation speed max.	4,500 rpm 4,500 min ⁻¹
Version	Standard with motor
Weight: with motor	130 kg 286.6 lb

Order number

Okta 600

PP W34 000

Accessories	
Adjusting elements for fastening the feet.	
Setting elements for foot mounting for Okta 250 / M / Okta 500 / M / Okta 1000 / M, 35 mm	PP 041 454 -T
Claw set (Stainless steel)	
Claw set (Stainless steel) for Okta 500 / M, DN ISO-K	PP 042 660 -T
Claw set (Zinc-plated Steel)	
Claw set (Zinc-plated Steel) for Okta 500 / M, DN ISO-K	PP 042 661 -T
Claw set (Zinc-plated Steel) *	
Claw set (Zinc-plated Steel) * for Okta 500 / M, DN ISO-K	PP 042 662 -T
DN ISO-F Blank flange set	
Blank flange set for Okta 500 / M, Stainless steel	PP 042 664 -T
DN ISO-F Centering ring with outer ring for vacuum flange	
Centering ring with outer ring for vacuum flange for Okta 500 / M / Okta 500 G, DN ISO-F	PF 303 110 -T
DN ISO-K Blank flange set (Stainless steel)	
Blank flange set (Stainless steel) for Okta 500 / M, DN ISO-K	PP 042 665 -T
DN PN16/PN10 Blank flange set (Stainless steel)	
Blank flange set (Stainless steel) for Okta 500 / M / ATEX, DN PN16/PN10	PP 042 666 -T
DN PN16/PN10 Seal kit (FKM)	
Seal kit (FKM) for Okta 500 / M / ATEX, DN PN16/PN10	PP 042 667 -T
Frequency converter	
Frequency converter (Complete with control box) Okta 500 / M	PP 078 296 -T
Mounting bolts (Stainless steel)	
Mounting bolts (Stainless steel) for Okta 500 / M, DN ISO-F	PP 042 655 -T
Mounting bolts (Zinc-plated Steel)	
Mounting bolts (Zinc-plated Steel) for Okta 500 / M, DN ISO-F	PP 042 645 -T
Mounting bolts (Zinc-plated Steel) for Okta 500 / M / ATEX, DN PN16/PN10	PP 042 663 -T
Oil compensating line with oil level monitoring	
Oil compensating line with oil level monitoring for Okta 250 / M / Okta 500 / M, G 3/8 (4x), G 1 1/4 (1x)	PP 031 446 -T
Operating fluid level monitoring	
Oil level monitoring 20-250 V AC for Okta 250 / M / Okta 500 / M / Okta 1000 / M / Okta 2000 / M / Okta 4000 / M / Okta 6000 / M, G 1 1/4	PK 004 930 -U
Oil level monitoring 24 V DC for Okta 250 / M / Okta 500 / M / Okta 1000 / M / Okta 2000 / M / Okta 4000 / M / Okta 6000 / M, G 1 1/4	PK 005 639 -U
Sealing gas kit	
Sealing gas kit for Okta 250 / M / Okta 500 / M / Okta 1000 / M / Okta 2000 / M / Okta 4000 / M / Okta 6000 / M / Okta 8000 / Okta 1500 G / Okta 4000 G / Okta 8000 G, G 3/8 (4x)	PP 027 401 -T
Splinter shield DN ISO-F	
Splinter shield for Okta 500/500 M/500 G	PP 030 149 AX
Splinter shield DN PN16/PN10	
Splinter shield for Okta 500	PP 042 350 -X

Accessories	
Sprayer DN ISO-F	
Sprayer DN ISO-F for Okta 500 / M / Okta 500 G	PP 042 649 -T
Sprayer DN PN16/PN10	
Sprayer DN PN16/PN10 for Okta 500 / M	PP 042 650 -T
Consumables	
P3, mineral oil, 5 l	PK 001 107 -T
P3, mineral oil, 20 l	PK 001 108 -T
P3, mineral oil, 0.5 l	PK 001 136 -T

VACUUM SOLUTIONS FROM A SINGLE SOURCE

Pfeiffer Vacuum stands for innovative and custom vacuum solutions worldwide, technological perfection, competent advice and reliable service.

COMPLETE RANGE OF PRODUCTS

From a single component to complex systems:

We are the only supplier of vacuum technology that provides a complete product portfolio.

COMPETENCE IN THEORY AND PRACTICE

Benefit from our know-how and our portfolio of training opportunities!

We support you with your plant layout and provide first-class on-site service worldwide.

Are you looking for a
perfect vacuum solution?
Please contact us:

Pfeiffer Vacuum GmbH
Headquarters · Germany
T +49 6441 802-0
info@pfeiffer-vacuum.de

www.pfeiffer-vacuum.com

All data subject to change without prior notice.

PFEIFFER  **VACUUM**