

Okta 500



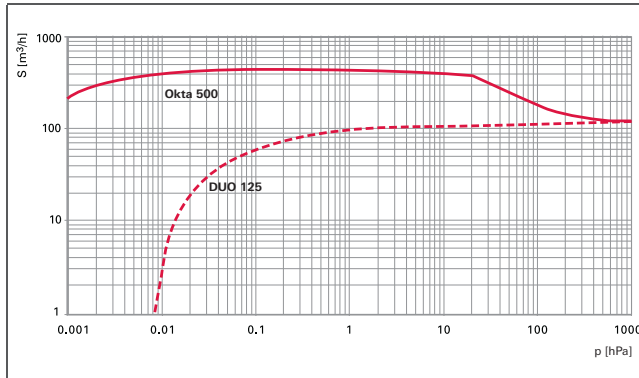
Roots pumps with a pumping speed of 280 to 840 m³/h:

- High-performance Roots pump with a pumping speed of 280 to 840 m³/h
- With 3-phase motor, IE2
- No thermal overload thanks to integral overflow valve
- For applications in the low and medium vacuum

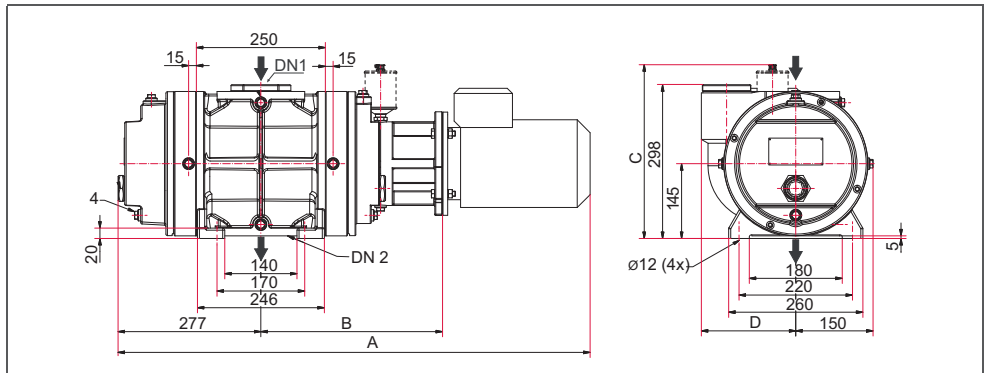
Okta = Standard pumps with radial shaft sealing rings, housing parts made of gray cast iron or nodular graphite cast iron, flange connection in accordance with ISO-F

Okta M = Standard pumps, hermetically sealed thanks to magnetic coupling, housing parts made of gray cast iron or nodular graphite cast iron, flange connection in accordance with ISO-F

Pumping speed



Dimensions (in mm)



	Okta 500, Roots pump, 230/400 V, 50 Hz ; 265/460 V, 60 Hz	Okta 500, Roots pump without motor	Okta 500 M, Roots pump, 230/400 V, 50 Hz ; 265/460 V, 60 Hz
A	915 mm	-	950 mm
B	352 mm	352 mm	382 mm
C	337 mm	337 mm	298 mm
D	183 mm	183 mm	183 mm
Connections			
DN 1	DN 100 ISO-F	DN 100 ISO-F	DN 100 ISO-F
DN 2	DN 100 ISO-F	DN 100 ISO-F	DN 100 ISO-F

Technical data	Okta 500, Roots pump, 230/400 V, 50 Hz ; 265/460 V, 60 Hz	Okta 500, Roots pump without motor	Okta 500 M, Roots pump, 230/400 V, 50 Hz ; 265/460 V, 60 Hz
Flange (out)	DN 100 ISO-F	DN 100 ISO-F	DN 100 ISO-F
Flange (in)	DN 100 ISO-F	DN 100 ISO-F	DN 100 ISO-F
Version	Standard with motor	Standard without motor	Standard with motor and magnetic coupling
Operating fluid	P3	P3	P3
Operating fluid filling	1.5 l	1.5 l	1.5 l
Differential pressure at the overflow valve	75 hPa	75 hPa	75 hPa
Rotation speed	from 1500 to 4500 min ⁻¹	from 1500 to 4500 min ⁻¹	from 1500 to 4500 min ⁻¹
Rotation speed max.	4500 min ⁻¹	4500 min ⁻¹	4500 min ⁻¹
Rotation speed min.	1500 min ⁻¹	1500 min ⁻¹	1500 min ⁻¹
Emission sound pressure level (EN ISO 2151) at intake pressure 10 hPa	75 dB (A)	75 dB (A)	75 dB (A)
Emission sound pressure level (EN ISO 2151) at intake pressure 1 hPa	70 dB (A)	70 dB (A)	70 dB (A)
Weight: with motor	132 kg		145 kg
Weight: without motor		115 kg	
Cooling method, standard	Air	Air	Air
Leak rate	1 · 10 ⁻³ Pa m ³ /s	1 · 10 ⁻³ Pa m ³ /s	1 · 10 ⁻⁶ Pa m ³ /s
Motor protection	3TF		3TF
Nominal rotation speed at 50 Hz	3000 min ⁻¹	3000 min ⁻¹	3000 min ⁻¹
Nominal rotation speed at 60 Hz	3600 min ⁻¹	3600 min ⁻¹	3600 min ⁻¹
Rated power 50 Hz	1.5 kW		1.5 kW
Rated power 60 Hz	1.8 kW		1.8 kW
Nominal pumping speed	280-840 m ³ /h	280-840 m ³ /h	280-840 m ³ /h
Nominal pumping speed at 50 Hz	560 m ³ /h	560 m ³ /h	560 m ³ /h
Nominal pumping speed at 60 Hz	670 m ³ /h	670 m ³ /h	670 m ³ /h
Mains requirement: voltage 50 Hz	230/400 V		230/400 V
Mains requirement: voltage 60 Hz	265/460 V		265/460 V
Protection category	IP 55	IP 55	IP 55
Ambient temperature	5-40 °C	5-40 °C	5-40 °C

Order number			
Okta 500	PP W31 000	PP W31 001	PP W32 000

Accessories			
Splinter shield for Okta 500 / 500 M / 500 G	PP 030 149 AX	PP 030 149 AX	PP 030 149 AX

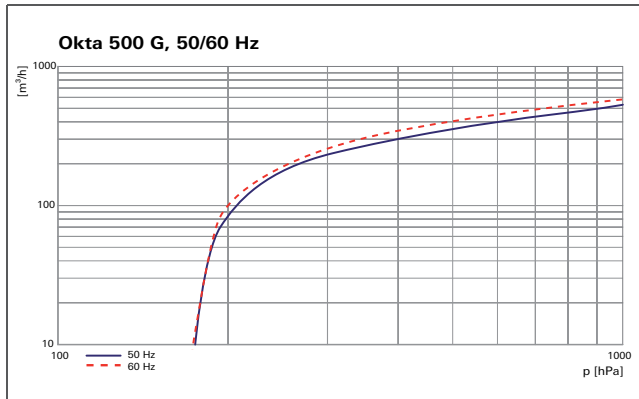
Okta 500 G

Gas-cooled Roots pump with a pumping speed range from 210 to 630 m³/h

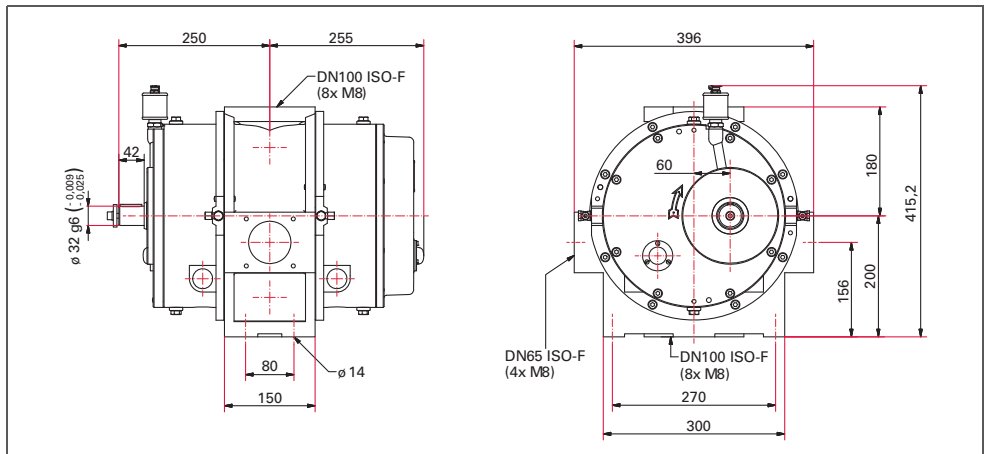


- High-performance gas cooled roots pump with a pumping speed from 210 to 630 m³/h
- For applications in the low and medium vacuum
- Single stage pressure range from 130 to 1013 hPa, in series with smaller final pressure
- Connection flange DN 100 ISO-F
- No thermal overload thanks to gas cooling
- With sealing gas connection
- Customized design and offer of a complete unit for motor, gas cooler and coupling on request

Pumping speed



Dimensions (in mm)



Technical data	Okta 500 G, gas-cooled Roots pump without motor, DN 100 ISO-F
Flange (out)	DN 100 ISO-F
Flange (in)	DN 100 ISO-F
Operating fluid	P3
Operating fluid filling	3 l
Rotation speed	from 1200 to 3600 min ⁻¹
Rotation speed max.	3600 min ⁻¹
Rotation speed min.	1200 min ⁻¹
Ultimate pressure without gas ballast	130 hPa
Weight: without motor	125 kg
Cooling method, standard	gas-cooled
Cooling gas connection	DN 63 ISO-F
Leak rate	1 · 10 ⁻³ Pa m ³ /s
Motor rating	max. 18.5 kW
Nominal rotation speed at 50 Hz	3000 min ⁻¹
Nominal rotation speed at 60 Hz	3600 min ⁻¹
Nominal pumping speed	210-630 m ³ /h
Nominal pumping speed at 50 Hz	520 m ³ /h
Nominal pumping speed at 60 Hz	630 m ³ /h
Noise level with connected exhaust line	75-105 dB (A)
Protection category	IP 55
Sealing gas	Yes
Ambient temperature	5-40 °C

Order number	
Okta 500 G	PP G30 001

Accessories	
Splinter shield for Okta 500 / 500 M / 500 G	PP 030 149 AX

Technical data	Okta 500 ATEX, Roots pump, 230/400 V, 50 Hz; 265/460 V, 60 Hz
Flange (out)	DN 100 PN 16
Flange (in)	DN 100 PN 16
Version	ATEX with motor and magnetic coupling, blocked overflow-valve, ATEX according to directive 94/9/EC: group II, category 3G, equipment-group IIB, temperature class T3 $X + 5\text{ °C} \leq T_a \leq +40\text{ °C}$
Operating fluid	P3
Operating fluid filling	1.5 l
Rotation speed	from 1500 to 3600 min ⁻¹
Rotation speed max.	3600 min ⁻¹
Rotation speed min.	1500 min ⁻¹
Emission sound pressure level (EN ISO 2151) at intake pressure 10 hPa	75 dB (A)
Emission sound pressure level (EN ISO 2151) at intake pressure 1 hPa	70 dB (A)
Weight: with motor	154 kg
Cooling method, standard	Air
Leak rate	$1 \cdot 10^{-6}$ Pa m ³ /s
Motor protection	3TF
Nominal rotation speed at 50 Hz	3000 min ⁻¹
Nominal rotation speed at 60 Hz	3600 min ⁻¹
Rated power 50 Hz	1.5 kW
Rated power 60 Hz	1.8 kW
Nominal pumping speed	280-670 m ³ /h
Nominal pumping speed at 50 Hz	560 m ³ /h
Nominal pumping speed at 60 Hz	670 m ³ /h
Mains requirement: voltage 50 Hz	230/400 V
Mains requirement: voltage 60 Hz	265/460 V
Protection category	IP 55
Ambient temperature	5-40 °C
Order number	
Okta 500 ATEX	PP W33 300

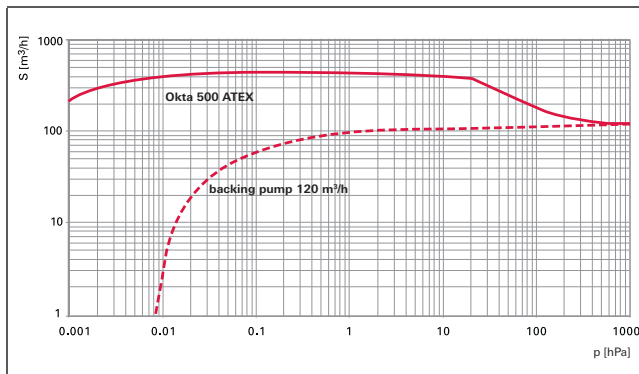
Okta 500 ATEX



Roots pumps with a pumping speed of 280 to 670 m³/h:

- High-performance Roots pump with a pumping speed of 280 to 670 m³/h
- Hermetically sealed, through magnetic coupling, leakage rate $1 \cdot 10^{-5}$ hPa
- Pump without motor (coupling and motor lantern are included in delivery)
- Pressure-surge resistant up to 1600 kPa
- No thermal overload thanks to integrated temperature sensor
- For ATEX applications (directive 94/9/EC)

Pumping speed



Dimensions (in mm)

