



**Okta 300, Roots pump, 230/400 V,  
50 Hz; 265/460 V, 60 Hz**

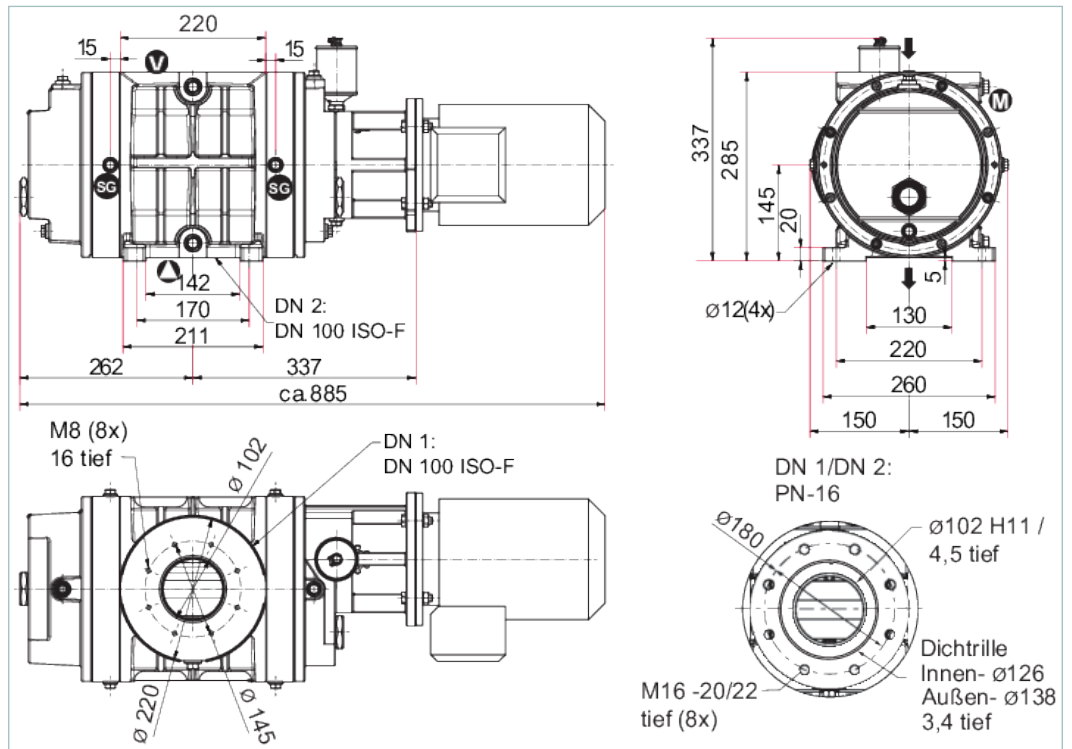


Similar Image

## Okta 300, Roots pump, 230/400 V, 50 Hz; 265/460 V, 60 Hz

- High-performance Roots pump with a pumping speed of 290 to 435 m<sup>3</sup>/h
- With 3-phase motor, IE2
- For applications in the low and medium vacuum

### Dimensions



Technical Data	Okta 300, Roots pump, 230/400 V, 50 Hz; 265/460 V, 60 Hz
Ambient temperature	5 - 40 °C
Cooling method, standard	Air
Differential pressure max.	60–35 hPa
Emission sound pressure level (EN ISO 2151) at intake pressure 10 hPa	75 dB(A)
Flange (in)	DN 100 ISO-F
Flange (out)	DN 100 ISO-F
Leak rate	1 · 10 <sup>-3</sup> Pa m <sup>3</sup> /s
Mains requirement: voltage 50 Hz	230/400 V
Mains requirement: voltage 60 Hz	265/460 V
Operating fluid	P3
Operating fluid filling	1.5 l
Protection category	IP 55
Rated power 50 Hz	1.1 kW
Rated power 60 Hz	1.3 kW
Rotation speed max.	3,000 rpm   3,000 min <sup>-1</sup>
Version	Standard with motor
Weight: with motor	120 kg   264.55 lb

Order number	Okta 300	PP W24 000
--------------	----------	------------

Accessories	
<b>Adjusting elements for fastening the feet.</b>	
Setting elements for foot mounting for Okta 250 / M / Okta 500 / M / Okta 1000 / M, 35 mm	PP 041 454 -T
<b>Claw set (Stainless steel)</b>	
Claw set (Stainless steel) for Okta 500 / M, DN ISO-K	PP 042 660 -T
<b>Claw set (Zinc-plated Steel)</b>	
Claw set (Zinc-plated Steel) for Okta 500 / M, DN ISO-K	PP 042 661 -T
<b>Claw set (Zinc-plated Steel) *</b>	
Claw set (Zinc-plated Steel) * for Okta 500 / M, DN ISO-K	PP 042 662 -T
<b>DN ISO-F Blank flange set</b>	
Blank flange set for Okta 500 / M, Stainless steel	PP 042 664 -T
<b>DN ISO-F Centering ring with outer ring for vacuum flange</b>	
Centering ring with outer ring for vacuum flange for Okta 500 / M / Okta 500 G, DN ISO-F	PF 303 110 -T
<b>DN ISO-K Blank flange set (Stainless steel)</b>	
Blank flange set (Stainless steel) for Okta 500 / M, DN ISO-K	PP 042 665 -T
<b>DN PN16/PN10 Blank flange set (Stainless steel)</b>	
Blank flange set (Stainless steel) for Okta 500 / M / ATEX, DN PN16/PN10	PP 042 666 -T
<b>DN PN16/PN10 Seal kit (FKM)</b>	
Seal kit (FKM) for Okta 500 / M / ATEX, DN PN16/PN10	PP 042 667 -T
<b>Frequency converter</b>	
Frequency converter (Complete with control box) Okta 500 / M	PP 078 296 -T
<b>Mounting bolts (Stainless steel)</b>	
Mounting bolts (Stainless steel) for Okta 500 / M, DN ISO-F	PP 042 655 -T
<b>Mounting bolts (Zinc-plated Steel)</b>	
Mounting bolts (Zinc-plated Steel) for Okta 500 / M, DN ISO-F	PP 042 645 -T
Mounting bolts (Zinc-plated Steel) for Okta 500 / M / ATEX, DN PN16/PN10	PP 042 663 -T
<b>Oil compensating line with oil level monitoring</b>	
Oil compensating line with oil level monitoring for Okta 250 / M / Okta 500 / M, G 3/8 (4x), G 1 1/4 (1x)	PP 031 446 -T
<b>Okta 250</b>	
Okta 250 M, Roots pump, 230/400 V, 50 Hz; 265/460 V, 60 Hz	PP W22 000
<b>Operating fluid level monitoring</b>	
Oil level monitoring 20-250 V AC for Okta 250 / M / Okta 500 / M / Okta 1000 / M / Okta 2000 / M / Okta 4000 / M / Okta 6000 / M, G 1 1/4	PK 004 930 -U
Oil level monitoring 24 V DC for Okta 250 / M / Okta 500 / M / Okta 1000 / M / Okta 2000 / M / Okta 4000 / M / Okta 6000 / M, G 1 1/4	PK 005 639 -U
<b>Sealing gas kit</b>	
Sealing gas kit for Okta 250 / M / Okta 500 / M / Okta 1000 / M / Okta 2000 / M / Okta 4000 / M / Okta 6000 / M / Okta 8000 / Okta 1500 G / Okta 4000 G / Okta 8000 G, G 3/8 (4x)	PP 027 401 -T

<b>Accessories</b>	
<b>Splinter shield DN ISO-F</b>	
Splinter shield for Okta 500/500 M/500 G	<b>PP 030 149 AX</b>
<b>Splinter shield DN PN16/PN10</b>	
Splinter shield for Okta 500	<b>PP 042 350 -X</b>
<b>Sprayer DN ISO-F</b>	
Sprayer DN ISO-F for Okta 500 / M / Okta 500 G	<b>PP 042 649 -T</b>
<b>Sprayer DN PN16/PN10</b>	
Sprayer DN PN16/PN10 for Okta 500 / M	<b>PP 042 650 -T</b>
<b>Consumables</b>	
P3, mineral oil, 1 l	<b>PK 001 106 -T</b>
P3, mineral oil, 5 l	<b>PK 001 107 -T</b>
P3, mineral oil, 20 l	<b>PK 001 108 -T</b>
P3, mineral oil, 0.5 l	<b>PK 001 136 -T</b>

## **VACUUM SOLUTIONS FROM A SINGLE SOURCE**

Pfeiffer Vacuum stands for innovative and custom vacuum solutions worldwide, technological perfection, competent advice and reliable service.

## **COMPLETE RANGE OF PRODUCTS**

From a single component to complex systems:

We are the only supplier of vacuum technology that provides a complete product portfolio.

## **COMPETENCE IN THEORY AND PRACTICE**

Benefit from our know-how and our portfolio of training opportunities!

We support you with your plant layout and provide first-class on-site service worldwide.

Are you looking for a  
perfect vacuum solution?  
Please contact us:

**Pfeiffer Vacuum GmbH**  
Headquarters · Germany  
T +49 6441 802-0  
info@pfeiffer-vacuum.de

[www.pfeiffer-vacuum.com](http://www.pfeiffer-vacuum.com)

All data subject to change without prior notice.

**PFEIFFER**  **VACUUM**