

Okta 2000



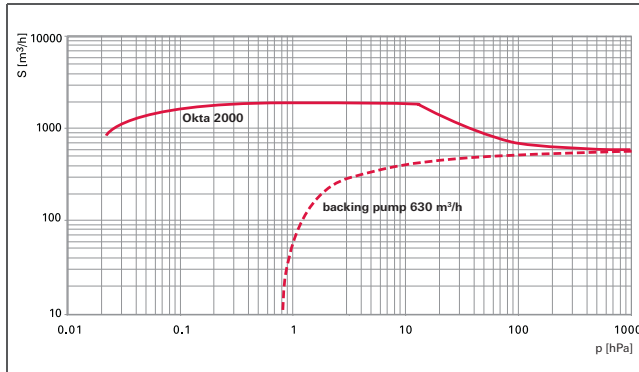
Roots pump with a pumping speed of 1075 to 3230 m³/h:

- High-performance Roots pump with a pumping speed of 1075 to 3230 m³/h
- For mains voltage: 230/400 V, 50 Hz respectively 265/460 V, 60 Hz
- No thermal overload thanks to integral overflow valve
- For applications in the low and medium vacuum

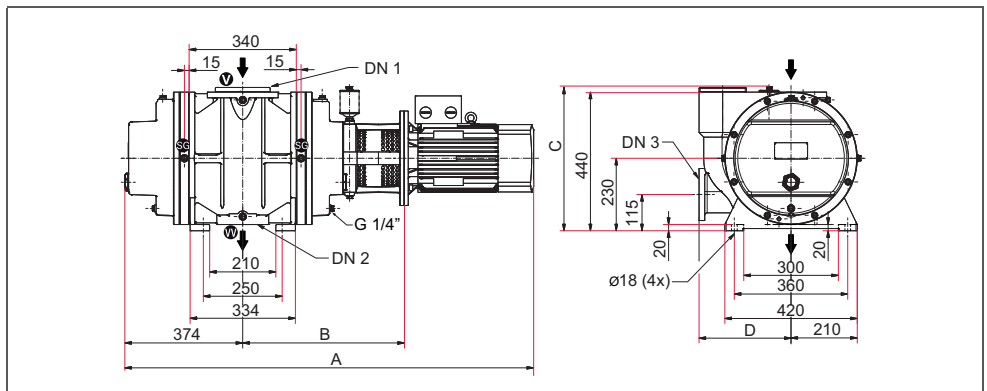
Okta = Standard pumps with radial shaft sealing rings, housing parts made of gray cast iron or nodular graphite cast iron, flange connection in accordance with ISO-F

Okta M = Standard pumps, hermetically sealed thanks to magnetic coupling, housing parts made of gray cast iron nodular graphite cast iron, flange connection in accordance with ISO-F

Pumping speed



Dimensions (in mm)



	Okta 2000, Roots pump, 230/400 V, 50 Hz ; 265/460 V, 60 Hz	Okta 2000, Roots pump without motor	Okta 2000 M, Roots pump, 230/400 V, 50 Hz ; 265/460 V, 60 Hz
A	1297 mm	-	1317 mm
B	513 mm	513 mm	532 mm
C	458 mm	458 mm	458 mm
D	292 mm	292 mm	292 mm
Connections			
DN 1	DN 160 ISO-F	DN 160 ISO-F	DN 160 ISO-F
DN 2	DN 100 ISO-F	DN 100 ISO-F	DN 100 ISO-F
DN 3	DN 100 ISO-F	DN 100 ISO-F	DN 100 ISO-F

Technical data	Okta 2000, Roots pump, 230/400 V, 50 Hz ; 265/460 V, 60 Hz	Okta 2000, Roots pump without motor	Okta 2000 M, Roots pump, 230/400 V, 50 Hz ; 265/460 V, 60 Hz
Flange (out)	DN 100 ISO-F	DN 100 ISO-F	DN 100 ISO-F
Flange (in)	DN 160 ISO-F	DN 160 ISO-F	DN 160 ISO-F
Version	Standard with motor	Standard without motor	Standard with motor and magnetic coupling
Operating fluid	P3	P3	P3
Operating fluid filling	5 l	5 l	5 l
Differential pressure at the overflow valve	35 hPa	35 hPa	35 hPa
Rotation speed	from 1500 to 4500 min ⁻¹	from 1500 to 4500 min ⁻¹	from 1500 to 4500 min ⁻¹
Rotation speed max.	4500 min ⁻¹	4500 min ⁻¹	4500 min ⁻¹
Rotation speed min.	1500 min ⁻¹	1500 min ⁻¹	1500 min ⁻¹
Emission sound pressure level (EN ISO 2151) at intake pressure 10 hPa	75 dB (A)	75 dB (A)	75 dB (A)
Emission sound pressure level (EN ISO 2151) at intake pressure 1 hPa	72 dB (A)	72 dB (A)	72 dB (A)
Weight: with motor	340 kg		360 kg
Weight: without motor		290 kg	
Cooling method, standard	Air	Air	Air
Leak rate	1 · 10 ⁻³ Pa m ³ /s	1 · 10 ⁻³ Pa m ³ /s	1 · 10 ⁻⁶ Pa m ³ /s
Motor protection	3TF		3TF
Nominal rotation speed at 50 Hz	3000 min ⁻¹	3000 min ⁻¹	3000 min ⁻¹
Nominal rotation speed at 60 Hz	3600 min ⁻¹	3600 min ⁻¹	3600 min ⁻¹
Rated power 50 Hz	5.5 kW		5.5 kW
Rated power 60 Hz	6.3 kW		6.3 kW
Nominal pumping speed	1075-3230 m ³ /h	1075-3230 m ³ /h	1075-3230 m ³ /h
Nominal pumping speed at 50 Hz	2155 m ³ /h	2155 m ³ /h	2155 m ³ /h
Nominal pumping speed at 60 Hz	2585 m ³ /h	2585 m ³ /h	2585 m ³ /h
Mains requirement: voltage 50 Hz	230/400 V		230/400 V
Mains requirement: voltage 60 Hz	265/460 V		265/460 V
Protection category	IP 55	IP 55	IP 55
Ambient temperature	5-40 °C	5-40 °C	5-40 °C

Order number			
Okta 2000	PP W61 000	PP W61 001	PP W62 000

Accessories			
Splinter shield for Okta 1000 / 1000 M / 1500 G / 2000 / 2000 M	PP 031 114 -X	PP 031 114 -X	PP 031 114 -X

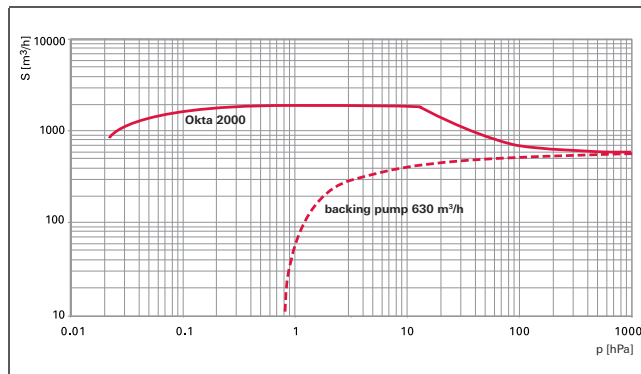
Okta 2000 ATEX

Roots pump with a pumping speed of 1080 to 2585 m³/h:

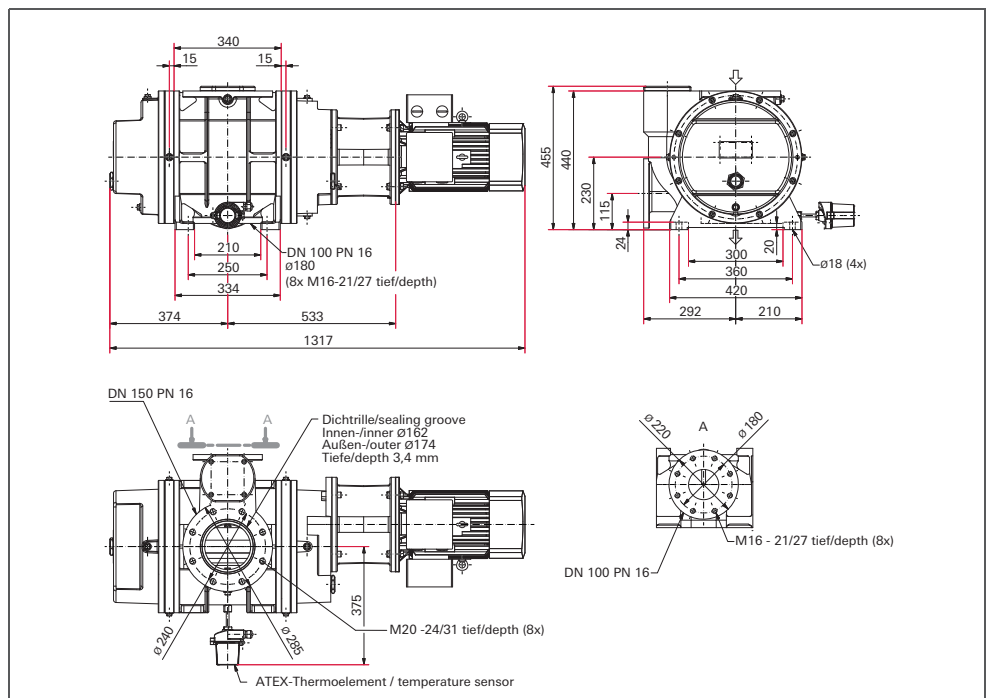


- High-performance Roots pump with a pumping speed of 1080 to 2585 m³/h
- With 3-phase ATEX motor
- Hermetically sealed, through magnetic coupling, leakage rate $1 \cdot 10^{-5}$ hPa
- Pressure-surge resistant up to 1600 kPa
- No thermal overload thanks to integrated temperature sensor
- For ATEX applications (directive 94/9/EC)

Pumping speed



Dimensions (in mm)



Technical data	Okta 2000 ATEX, Roots pump
Flange (out)	DN 100 PN 16
Flange (in)	DN 150 PN 16
Version	ATEX with motor and magnetic coupling, blocked overflow-valve, ATEX according to directive 94/9/EC: group II, category 3G, equipment-group IIB, temperature class T3 $X + 5\text{ °C} \leq T_a \leq +40\text{ °C}$
Operating fluid	P3
Operating fluid filling	5 l
Rotation speed	from 1500 to 3600 min ⁻¹
Rotation speed max.	3600 min ⁻¹
Rotation speed min.	1500 min ⁻¹
Emission sound pressure level (EN ISO 2151) at intake pressure 10 hPa	75 dB (A)
Emission sound pressure level (EN ISO 2151) at intake pressure 1 hPa	72 dB (A)
Weight: with motor	390 kg
Cooling method, standard	Air
Leak rate	$1 \cdot 10^{-6}$ Pa m ³ /s
Motor protection	3TF
Nominal rotation speed at 50 Hz	3000 min ⁻¹
Nominal rotation speed at 60 Hz	3600 min ⁻¹
Rated power 50 Hz	5.5 kW
Rated power 60 Hz	6.3 kW
Nominal pumping speed	1080-2585 m ³ /h
Nominal pumping speed at 50 Hz	2155 m ³ /h
Nominal pumping speed at 60 Hz	2585 m ³ /h
Mains requirement: voltage 50 Hz	230/400 V
Mains requirement: voltage 60 Hz	265/460 V
Protection category	IP 55
Ambient temperature	5-40 °C
Order number	
Okta 2000 ATEX	PP W63 300