

## Okta 18000

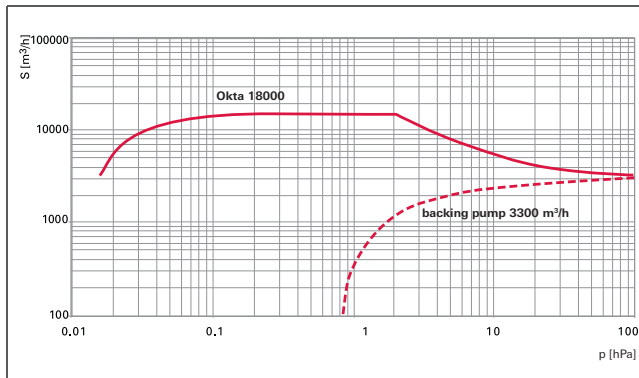
Roots pump with a pumping speed of 7310 to 27400 m<sup>3</sup>/h:



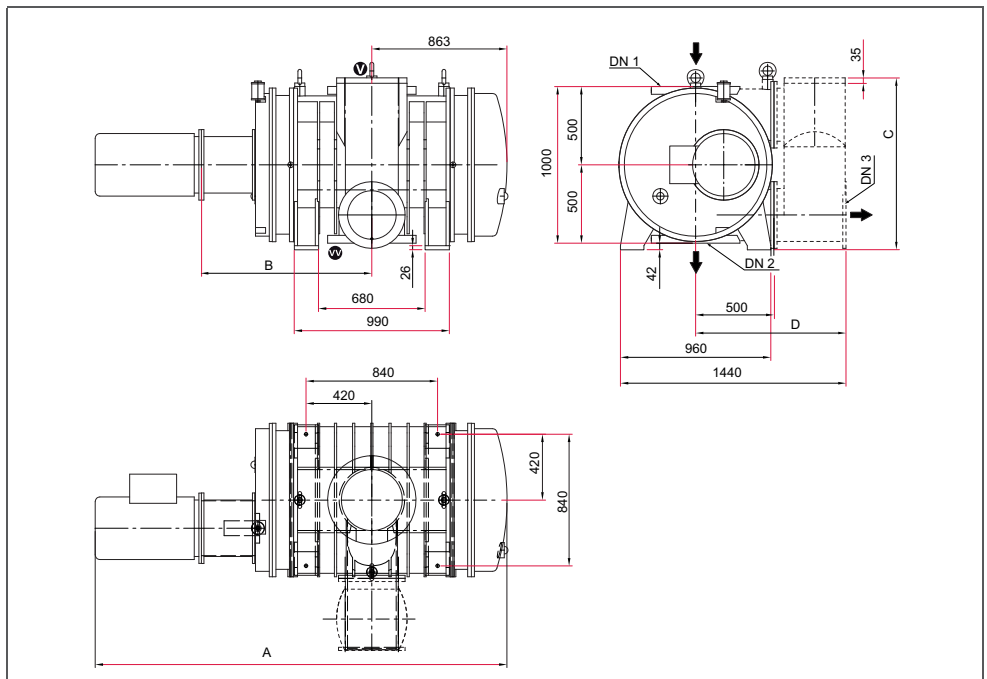
- High-performance Roots pump with a pumping speed of 7310 to 27400 m<sup>3</sup>/h
- For mains voltage: 400 V, 50 Hz respectively 460 V, 60 Hz
- No thermal overload thanks to integral overflow valve
- For applications in the low and medium vacuum

Okta = Standard pumps with radial shaft sealing rings, housing parts made of gray cast iron or nodular graphite cast iron, flange connection in accordance with ISO-F

### Pumping speed



### Dimensions (in mm)



	Okta 18000, Roots pump, 400/690 V, 50 Hz ; 460 V, 60 Hz	Okta 18000, Roots pump without motor
A	2789 mm	-
B	1090 mm	1090 mm
C	1099 mm	1099 mm
D	960 mm	960 mm
<b>Connections</b>		
DN 1	DN 400 PN 10	DN 400 PN 10
DN 2	DN 400 PN 10	DN 400 PN 10
DN 3	DN 320 ISO-F	DN 320 ISO-F

Technical data	Okta 18000, Roots pump, 400/690 V, 50 Hz ; 460 V, 60 Hz	Okta 18000, Roots pump without motor
Flange (out)	DN 400 PN 10	DN 400 PN 10
Flange (in)	DN 400 PN 10	DN 400 PN 10
Version	Standard with motor	Standard without motor
Operating fluid	P3	P3
Operating fluid filling	68 l	68 l
Differential pressure at the overflow valve	7 hPa	7 hPa
Rotation speed	from 1200 to 2250 min <sup>-1</sup>	from 1200 to 2250 min <sup>-1</sup>
Rotation speed max.	2250 min <sup>-1</sup>	2250 min <sup>-1</sup>
Rotation speed min.	1200 min <sup>-1</sup>	1200 min <sup>-1</sup>
Emission sound pressure level (EN ISO 2151) at intake pressure 10 hPa	79 dB (A)	79 dB (A)
Emission sound pressure level (EN ISO 2151) at intake pressure 1 hPa	75 dB (A)	75 dB (A)
Weight: with motor	3100 kg	
Weight: without motor		2800 kg
Cooling method, standard	Air	Air
Leak rate	1 · 10 <sup>-3</sup> Pa m <sup>3</sup> /s	1 · 10 <sup>-3</sup> Pa m <sup>3</sup> /s
Motor protection	3TF	
Nominal rotation speed at 50 Hz	1500 min <sup>-1</sup>	
Nominal rotation speed at 60 Hz	1800 min <sup>-1</sup>	
Rated power 50 Hz	45 kW	
Rated power 60 Hz	52 kW	
Nominal pumping speed	7310-27400 m <sup>3</sup> /h	7310-27400 m <sup>3</sup> /h
Nominal pumping speed at 50 Hz	18270 m <sup>3</sup> /h	18270 m <sup>3</sup> /h
Nominal pumping speed at 60 Hz	21925 m <sup>3</sup> /h	21925 m <sup>3</sup> /h
Mains requirement: voltage 50 Hz	400/690 V	
Mains requirement: voltage 60 Hz	460 V	
Protection category	IP 55	
Ambient temperature	5-40 °C	5-40 °C
<b>Order number</b>		
Okta 18000	PP W90 000	PP W90 001
<b>Accessories</b>		
Splinter shield for Okta 18000	PP 030 336 -T	PP 030 336 -T