

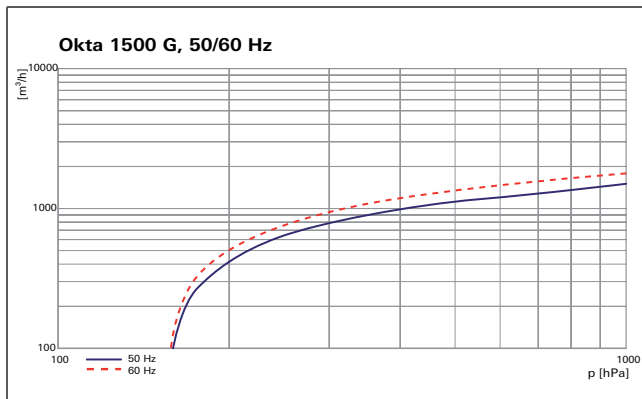
Okta 1500 G

Gas-cooled Roots pump with a pumping speed range from 750 to 3600 m³/h

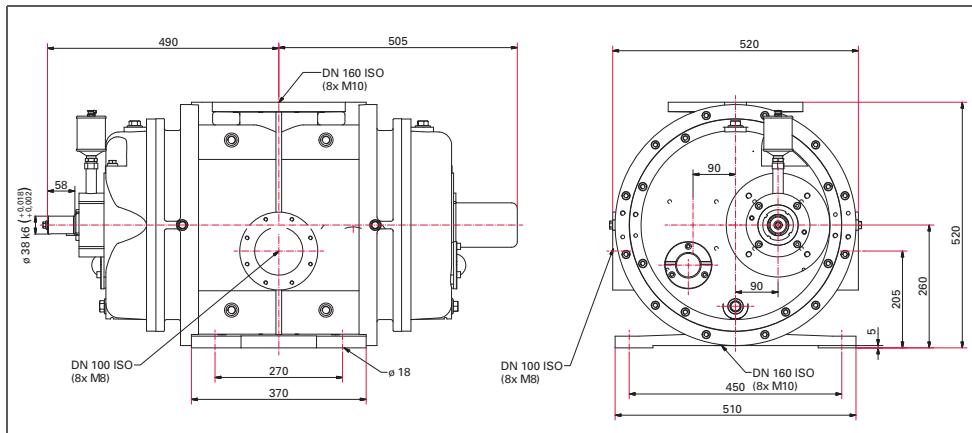


- High-performance gas cooled roots pump with a pumping speed from 750 to 3600 m³/h
- For applications in the low and medium vacuum
- Single stage pressure range from 130 to 1013 hPa, in series with smaller final pressure
- Connection flange DN 160 ISO-F
- No thermal overload thanks to gas cooling
- With sealing gas connection
- Customized design and offer for motor, gas cooler, and coupling on request

Pumping speed



Dimensions (in mm)



Technical data	Okta 1500 G, gas-cooled Roots pump without motor, DN 160 ISO-F
Flange (out)	DN 160 ISO-F
Flange (in)	DN 160 ISO-F
Operating fluid	P3
Operating fluid filling	7 l
Rotation speed	from 750 to 3600 min ⁻¹
Rotation speed max.	3600 min ⁻¹
Rotation speed min.	750 min ⁻¹
Ultimate pressure without gas ballast	130 hPa
Weight: without motor	460 kg
Cooling method, standard	gas-cooled
Cooling gas connection	DN 100 ISO-F
Leak rate	1 · 10 ⁻³ Pa m ³ /s
Motor rating	max. 2 x 30 kW
Nominal rotation speed at 50 Hz	3000 min ⁻¹
Nominal rotation speed at 60 Hz	3600 min ⁻¹
Nominal pumping speed	750-3600 m ³ /h
Nominal pumping speed at 50 Hz	1500 m ³ /h
Nominal pumping speed at 60 Hz	1800 m ³ /h
Noise level with connected exhaust line	75-105 dB (A)
Protection category	IP 55
Sealing gas	Yes
Ambient temperature	5-40 °C

Order number	
Okta 1500 G	PP G50 001

Accessories	
Splinter shield for Okta 1000 / 1000 M / 1500 G / 2000 / 2000 M	PP 031 114 -X