

## Okta 1000



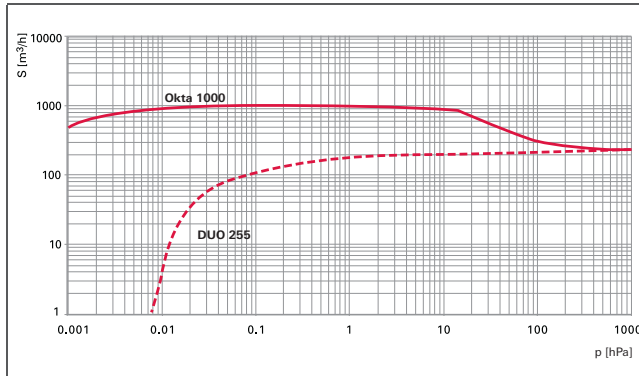
Roots pump with a pumping speed of 590 to 1775 m<sup>3</sup>/h:

- High-performance Roots pump with a pumping speed of 590 to 1775 m<sup>3</sup>/h
- For mains voltage: 230/400 V, 50 Hz respectively 265/460 V, 60 Hz
- No thermal overload thanks to integral overflow valve
- For applications in the low and medium vacuum

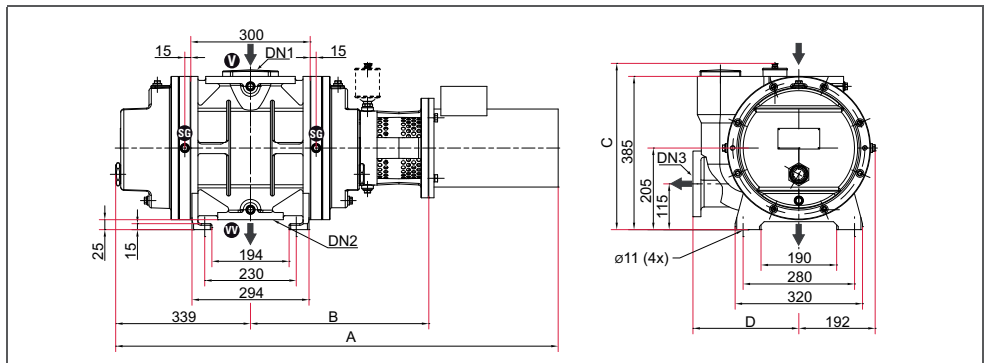
Okta = Standard pumps with radial shaft sealing rings, housing parts made of gray cast iron or nodular graphite cast iron, flange connection in accordance with ISO-F

Okta = Standard pumps, hermetically sealed thanks to magnetic coupling, housing parts made of gray cast iron or nodular graphite cast iron, flange connection in accordance with ISO-F

### Pumping speed



### Dimensions (in mm)



	Okta 1000, Roots pump, 230/400 V, 50 Hz ; 265/460 V, 60 Hz	Okta 1000, Roots pump without motor	Okta 1000 M, Roots pump, 230/400 V, 50 Hz ; 265/460, 60 Hz
A	1112 mm	-	1125 mm
B	448 mm	448 mm	461 mm
C	418 mm	418 mm	402 mm
D	266 mm	266 mm	266 mm
<b>Connections</b>			
DN 1	DN 160 ISO-F	DN 160 ISO-F	DN 160 ISO-F
DN 2	DN 100 ISO-F	DN 100 ISO-F	DN 100 ISO-F
DN 3	DN 100 ISO-F	DN 100 ISO-F	DN 100 ISO-F

Technical data	Okta 1000, Roots pump, 230/400 V, 50 Hz ; 265/460 V, 60 Hz	Okta 1000, Roots pump without motor	Okta 1000 M, Roots pump, 230/400 V, 50 Hz ; 265/460, 60 Hz
Flange (out)	DN 100 ISO-F	DN 100 ISO-F	DN 100 ISO-F
Flange (in)	DN 160 ISO-F	DN 160 ISO-F	DN 160 ISO-F
Version	Standard with motor	Standard without motor	Standard with motor and magnetic coupling
Operating fluid	P3	P3	P3
Operating fluid filling	2.9 l	2.9 l	2.9 l
Differential pressure at the overflow valve	45 hPa	45 hPa	45 hPa
Rotation speed	from 1500 to 4500 min <sup>-1</sup>	from 1500 to 4500 min <sup>-1</sup>	from 1500 to 4500 min <sup>-1</sup>
Rotation speed max.	4500 min <sup>-1</sup>	4500 min <sup>-1</sup>	4500 min <sup>-1</sup>
Rotation speed min.	1500 min <sup>-1</sup>	1500 min <sup>-1</sup>	1500 min <sup>-1</sup>
Emission sound pressure level (EN ISO 2151) at intake pressure 10 hPa	75 dB (A)	75 dB (A)	75 dB (A)
Emission sound pressure level (EN ISO 2151) at intake pressure 1 hPa	72 dB (A)	72 dB (A)	72 dB (A)
Weight: with motor	240 kg		265 kg
Weight: without motor		215 kg	
Cooling method, standard	Air	Air	Air
Leak rate	1 · 10 <sup>-3</sup> Pa m <sup>3</sup> /s	< 1 · 10 <sup>-3</sup> Pa m <sup>3</sup> /s	1 · 10 <sup>-6</sup> Pa m <sup>3</sup> /s
Motor protection	3TF		3TF
Nominal rotation speed at 50 Hz	3000 min <sup>-1</sup>	3000 min <sup>-1</sup>	3000 min <sup>-1</sup>
Nominal rotation speed at 60 Hz	3600 min <sup>-1</sup>	3600 min <sup>-1</sup>	3600 min <sup>-1</sup>
Rated power 50 Hz	3.0 kW		3.0 kW
Rated power 60 Hz	3.5 kW		3.5 kW
Nominal pumping speed	590-1775 m <sup>3</sup> /h	590-1775 m <sup>3</sup> /h	590-1775 m <sup>3</sup> /h
Nominal pumping speed at 50 Hz	1180 m <sup>3</sup> /h	1180 m <sup>3</sup> /h	1180 m <sup>3</sup> /h
Nominal pumping speed at 60 Hz	1420 m <sup>3</sup> /h	1420 m <sup>3</sup> /h	1420 m <sup>3</sup> /h
Mains requirement: voltage 50 Hz	230/400 V		230/400 V
Mains requirement: voltage 60 Hz	265/460 V		265/460 V
Protection category	IP 55	IP 55	IP 55
Ambient temperature	5-40 °C	5-40 °C	5-40 °C

Order number			
Okta 1000	PP W41 000	PP W41 001	PP W42 000

Accessories			
Splinter shield for Okta 1000 / 1000 M / 1500 G / 2000 / 2000 M	PP 031 114 -X	PP 031 114 -X	PP 031 114 -X

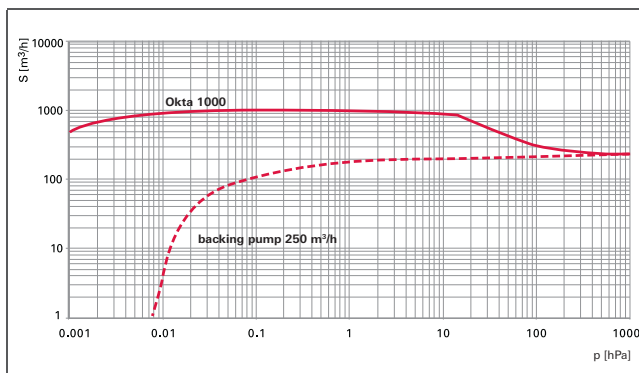
## Okta 1000 ATEX



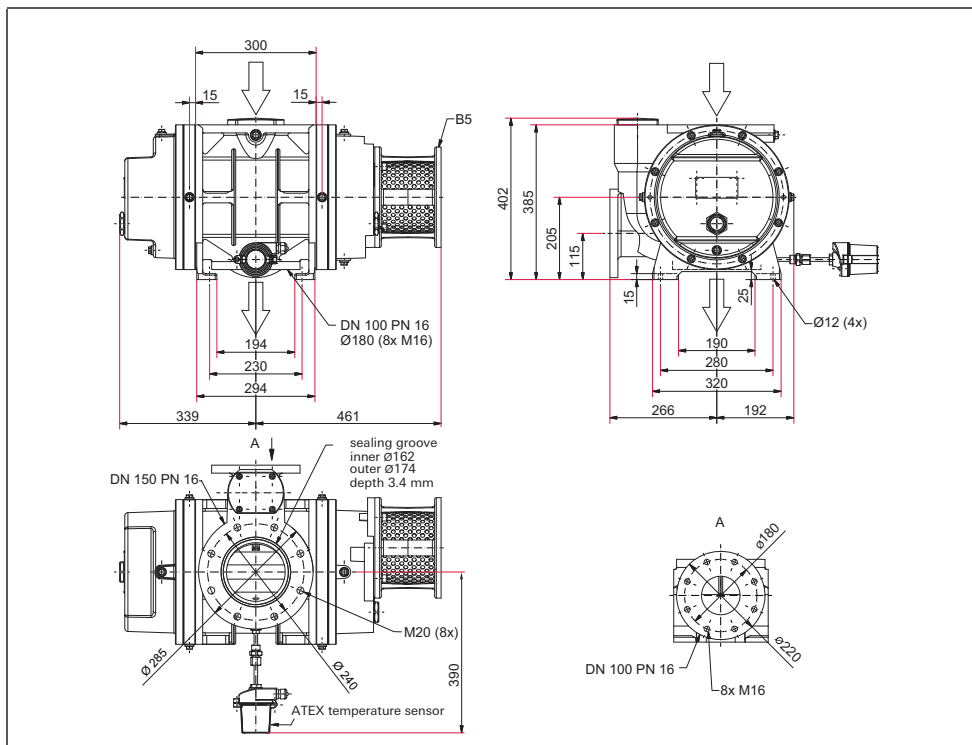
Roots pump with a pumping speed of 590 to 1420 m<sup>3</sup>/h:

- High-performance Roots pump with a pumping speed of 590 to 1420 m<sup>3</sup>/h
- With 3-phase ATEX motor
- Hermetically sealed, through magnetic coupling, leakage rate  $1 \cdot 10^{-5}$  hPa
- Pressure-surge resistant up to 1600 kPa
- No thermal overload thanks to integrated temperature sensor
- For ATEX applications (directive 94/9/EC)

### Pumping speed



### Dimensions (in mm)



Technical data	Okta 1000 ATEX, Roots pump, 230/400 V, 50 Hz; 265/460 V, 60 Hz
Flange (out)	DN 100 PN 16
Flange (in)	DN 150 PN 16
Version	ATEX with motor and magnetic coupling, blocked overflow-valve, ATEX according to directive 94/9/EC: group II, category 3G, equipment-group IIB, temperature class T3 $X + 5\text{ °C} \leq T_a \leq +40\text{ °C}$
Operating fluid	P3
Operating fluid filling	2.9 l
Rotation speed	from 1500 to 3600 min <sup>-1</sup>
Rotation speed max.	3600 min <sup>-1</sup>
Rotation speed min.	1500 min <sup>-1</sup>
Emission sound pressure level (EN ISO 2151) at intake pressure 10 hPa	75 dB (A)
Emission sound pressure level (EN ISO 2151) at intake pressure 1 hPa	72 dB (A)
Weight: with motor	255 kg
Cooling method, standard	Air
Leak rate	$1 \cdot 10^{-6}$ Pa m <sup>3</sup> /s
Motor protection	3TF
Nominal rotation speed at 50 Hz	3000 min <sup>-1</sup>
Nominal rotation speed at 60 Hz	3600 min <sup>-1</sup>
Rated power 50 Hz	3.0 kW
Rated power 60 Hz	3.5 kW
Nominal pumping speed	590-1420 m <sup>3</sup> /h
Nominal pumping speed at 50 Hz	1180 m <sup>3</sup> /h
Nominal pumping speed at 60 Hz	1420 m <sup>3</sup> /h
Mains requirement: voltage 50 Hz	230/400 V
Mains requirement: voltage 60 Hz	265/460 V
Protection category	IP 55
Ambient temperature	5-40 °C
Order number	
Okta 1000 ATEX	PP W43 300