

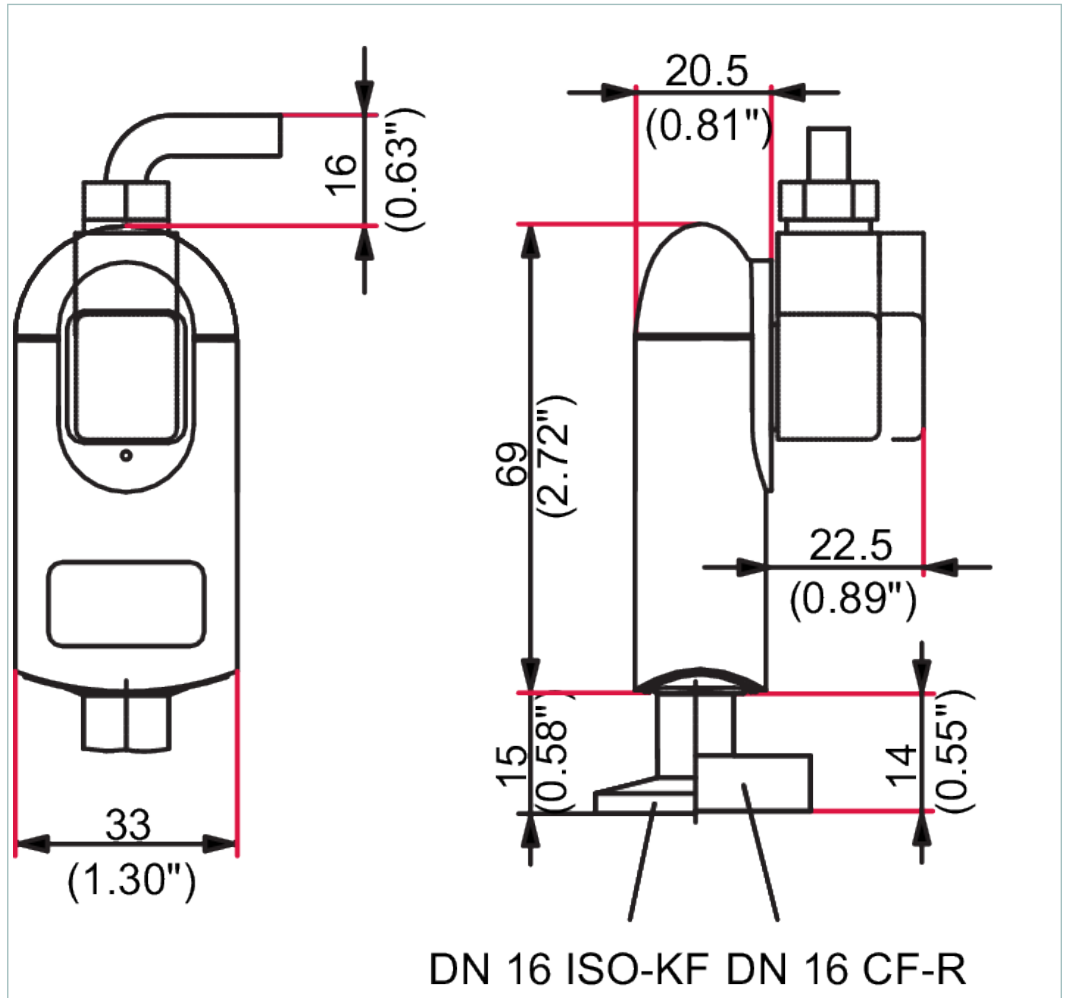


Similar Image

TPR 281, 80 °C, DN 16 ISO-KF

- Flange size: DN 16 ISO-KF
- Compact and rugged
- Maximum pressure refers to inert gases

Dimensions



Technical Data	TPR 281, 80 °C, DN 16 ISO-KF
Accuracy: $1 \cdot 10^{-3} - 100$ hPa	$\pm 15\%$
Bakeout temperature	80 °C
Feature	For corrosive media
Feedthrough	Glass
Filament	Nickel
Flange	Edelstahl
Measurement range max.	$1 \cdot 10^3$ hPa $7.5 \cdot 10^2$ Torr $1 \cdot 10^3$ mbar
Measurement range min.	$5 \cdot 10^{-4}$ hPa $3.75 \cdot 10^{-4}$ Torr $5 \cdot 10^{-4}$ mbar
Method of measurement	Pirani
Nominal diameter	DN 16 ISO-KF
Output signal: Minimum load	10 k Ω
Protection category	IP40
Repeatability: $1 \cdot 10^{-3} - 100$ hPa	$\pm 2\%$
Resolution	1 % of reading

Technical Data	TPR 281, 80 °C, DN 16 ISO-KF
Response time	80 ms
Seal	Metal
Supply: Power consumption max.	1 W
Supply: Voltage	14-30 V DC
Temperature: Operating	5 – 60 °C
Temperature: Storage	-20 – 65 °C
Volume	1.3 cm ³
Weight	80 g

Order number	
TPR 281	PT R21 950

Accessories	
Accessory	
Mating connector	B 4707 283 MA
Measurement cable	
Sensor cable, 3 m	PT 448 250 -T
Vacuum accessories	
Centering ring with metal mesh-fine filter, pore size 4 m, FPM/stainless steel	PT 120 132 -T
Centering ring with protection filter, pore size 20 m, FPM/stainless steel	PF 117 216 -T