

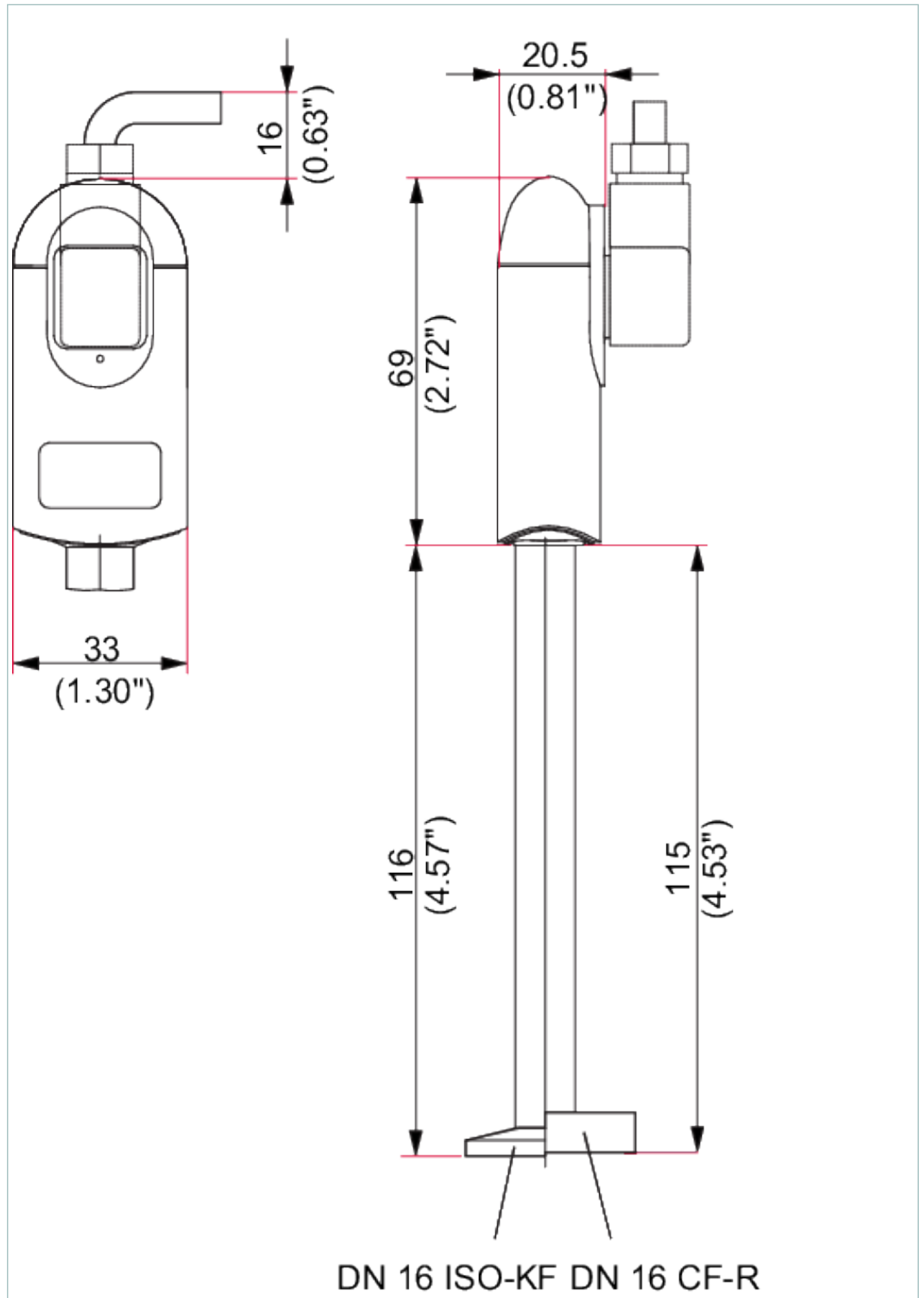


Similar Image

## TPR 280, 250 °C, DN 16 ISO-KF

- Flange size: DN 16 ISO-KF
- Maximum pressure refers to inert gases
- Compact and rugged
- For general vacuum applications

### Dimensions



Technical Data	TPR 280, 250 °C, DN 16 ISO-KF
Accuracy: $1 \cdot 10^{-3} - 100$ hPa	$\pm 15$ %
Bakeout temperature	250 °C
Feature	Stainless steel, metal sealed
Feedthrough	Glass
Filament	Tungsten
Flange	Edelstahl
Measurement range max.	$1 \cdot 10^3$ hPa   $7.5 \cdot 10^2$ Torr   $1 \cdot 10^3$ mbar
Measurement range min.	$5 \cdot 10^{-4}$ hPa   $3.75 \cdot 10^{-4}$ Torr   $5 \cdot 10^{-4}$ mbar
Method of measurement	Pirani
Nominal diameter	DN 16 ISO-KF
Output signal: Measurement range	2.2 - 8.5 V
Output signal: Minimum load	10 k $\Omega$
Protection category	IP40
Repeatability: $1 \cdot 10^{-3} - 100$ hPa	$\pm 2$ %
Resolution	1 % of reading
Response time	80 ms
Seal	Metal
Supply: Power consumption max.	1 W
Supply: Voltage	14-30 V DC
Temperature: Operating	5 – 60 °C
Temperature: Storage	-20 – 65 °C
Volume	10 cm <sup>3</sup>
Weight	130 g

Order number	
TPR 280	PT R26 960

Accessories	
<b>Accessory</b>	
Mating connector	B 4707 283 MA
<b>Measurement cable</b>	
Sensor cable, 3 m	PT 448 250 -T
<b>TPR 280 Pirani</b>	
TPR 280, 80 °C, DN 16 ISO-KF	PT R26 950
<b>Vacuum accessories</b>	
Centering ring with metal mesh-fine filter, pore size 4 $\mu$ m, FPM/stainless steel	PT 120 132 -T
Centering ring with protection filter, pore size 20 $\mu$ m, FPM/stainless steel	PF 117 216 -T