

Pirani gauge heads



TPR 010

- For general applications

TPR 017

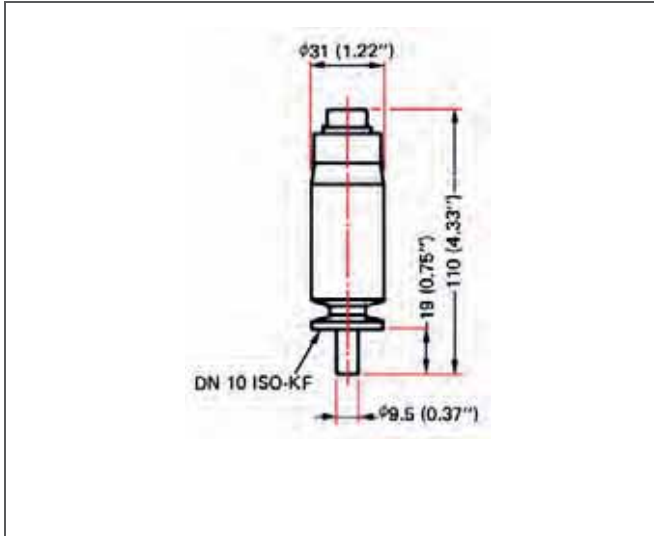
- For corrosive media

TPR 018

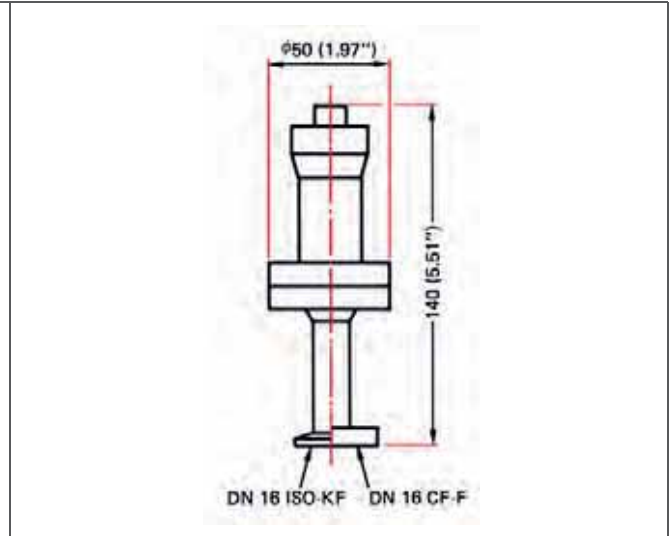
- For UHV

Limited measurement and switching accuracy above 100 and below 10^{-3} hPa

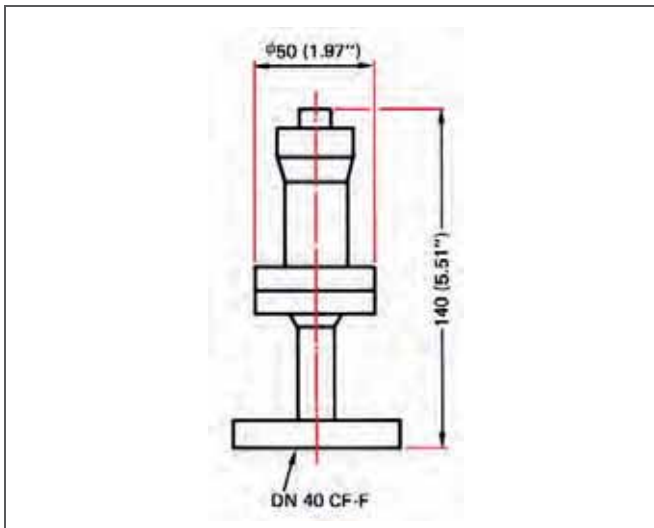
Dimensions (in mm)



TPR 010



TPR 017
TPR 018



TPR 018, UHV

Technical data	Pirani gauge head TPR 010	Pirani gauge head TPR 017, corrosion resistant	Pirani gauge head TPR 018
Bakeout temperature	100 °C	250 °C	250 °C
Operating temperature: high temperature sensor cable		0-120 °C	0-120 °C
Operating temperature: standard sensor cable	0-70 °C	0-80 °C	0-80 °C
Weight	0.14 kg	0.6 kg	0.6 kg
Isolator	FPM	Al ₂ O ₃	Al ₂ O ₃
Measurement range max.	1000 hPa	1000 hPa	1000 hPa
Measurement range min.	8 · 10 ⁻⁴ hPa	8 · 10 ⁻⁴ hPa	8 · 10 ⁻⁴ hPa
Filament/holder	T/Ni	Ni/Ni	T/Ni
Chamber wall, inside	AlSiMg	Stainless steel	Stainless steel
Protective filter	Sintered bronze		
Radiation resistance		1 · 10 ⁴ Gy	1 · 10 ⁴ Gy

	Pirani gauge head TPR 010	Pirani gauge head TPR 017, corrosion resistant	Pirani gauge head TPR 018
Flange (in)	DN 10 ISO-KF		
Order number	PT R02 270		
Flange (in)		DN 16 ISO-KF	DN 16 ISO-KF
Order number		PT R13 270	PT R15 010
Flange (in)		DN 16 CF-F	DN 16 CF-F
Order number		PT R13 271	PT R15 011
Flange (in)			DN 40 CF-F
Order number			PT R15 014

Accessories			
Sensor cable, TPR 010, 3.0 m, 80 °C	PT 548 402-T		
Sensor cable, TPR 010, 6.0 m, 80 °C	PT 548 403-T		
Sensor cable, TPR 017/018, 3.0 m, 80 °C		PT 548 308-T	PT 548 308-T
Sensor cable, TPR 017/018, 6.0 m, 80 °C		PT 548 309-T	PT 548 309-T
Extension for sensor cable, TPR 010/017/018, 30 m, 80 °C			PT 548 470-T

Gauge head accessories

Sensor cables	Order number
Sensor cable, TPR 017/018, 3.0 m, 80 °C	PT 548 308-T
Sensor cable, TPR 017/018, 6.0 m, 80 °C	PT 548 309-T
Sensor cable, TPR 017/018, 10 m, 80 °C	PT 548 456-T
Sensor cable, TPR 017/018, 15 m, 80 °C	PT 548 457-T
Sensor cable, TPR 017/018, 20 m, 80 °C	PT 548 458-T
Sensor cable, TPR 017/018, 25 m, 80 °C	PT 548 459-T
Sensor cable, TPR 017/018, 30 m, 80 °C	PT 548 460-T
Sensor cable, TPR 017/018, 35 m, 80 °C	PT 548 461-T
Sensor cable, TPR 017/018, 40 m, 80 °C	PT 548 462-T
Sensor cable, TPR 017/018, 45 m, 80 °C	PT 548 463-T
Sensor cable, TPR 017/018, 50 m, 80 °C	PT 548 464-T
Sensor cable, TPR 010, 2.0 m, 80 °C	PT 548 401-T
Sensor cable, TPR 010, 3.0 m, 80 °C	PT 548 402-T
Sensor cable, TPR 010, 6.0 m, 80 °C	PT 548 403-T
Sensor cable, TPR 010, 30 m, 80 °C	PT 548 415-T
Sensor cable, TPR 010, 40 m, 80 °C	PT 548 416-T
Sensor cable, TPR 010, 50 m, 80 °C	PT 548 417-T
Sensor cable, TPR 010, 10 m, 80 °C	PT 548 450-T
Sensor cable, TPR 010, 15 m, 80 °C	PT 548 451-T
Sensor cable, TPR 010, 20 m, 80 °C	PT 548 452-T
Sensor cable, TPR 010, 25 m, 80 °C	PT 548 453-T
Sensor cable, TPR 010, 35 m, 80 °C	PT 548 454-T
Sensor cable, TPR 010, 45 m, 80 °C	PT 548 455-T
Sensor cable, IKR 050/060, 3.0 m, 80 °C	PT 548 406-T
Sensor cable, IKR 050/060, 6.0 m, 80 °C	PT 548 407-T
Sensor cable, IKR 050/060, 10 m, 80 °C	PT 548 419-T
Sensor cable, IKR 050/060, 30 m, 80 °C	PT 548 422-T
Sensor cable, IKR 050/060, 15 m, 80 °C	PT 548 483-T
Sensor cable, IKR 050/060, 20 m, 80 °C	PT 548 484-T
Sensor cable, IKR 050/060, 25 m, 80 °C	PT 548 485-T
Sensor cable, IKR 050/060, 35 m, 80 °C	PT 548 486-T
Sensor cable, IKR 050/060, 40 m, 80 °C	PT 548 487-T
Sensor cable, IKR 050/060, 45 m, 80 °C	PT 548 488-T
Sensor cable, IKR 050/060, 50 m, 80 °C	PT 548 489-T
Sensor cable, IKR 070, 3.0 m, 80 °C	PT 548 306-T
Sensor cable, IKR 070, 6.0 m, 80 °C	PT 548 317-T
Sensor cable, IKR 070, 10 m, 80 °C	PT 548 490-T
Sensor cable, IKR 070, 15 m, 80 °C	PT 548 491-T
Sensor cable, IKR 070, 20 m, 80 °C	PT 548 492-T
Sensor cable, IKR 070, 30 m, 80 °C	PT 548 493-T
Sensor cable, IKR 070, 40 m, 80 °C	PT 548 494-T
Sensor cable, IKR 070, 45 m, 80 °C	PT 548 495-T
Sensor cable, IKR 070, 50 m, 80 °C	BP 229 748-T

Extension for sensor cables	Order number
Extension for sensor cable, TPR 010/017/018, 10 m, 80 °C	PT 548 466-T
Extension for sensor cable, TPR 010/017/018, 20 m, 80 °C	PT 548 468-T
Extension for sensor cable, TPR 010/017/018, 30 m, 80 °C	PT 548 470-T
Extension for sensor cable, TPR 010/017/018, 40 m, 80 °C	PT 548 472-T
Extension for sensor cable, TPR 010/017/018, 50 m, 80 °C	PT 548 474-T

High-temperature sensor cables	Order number
High-temperature sensor cable, TPR 017/018, 3.0 m, 250 °C	PT 548 414-T
High-temperature sensor cable, TPR 017/018, 6.0 m, 250 °C	PT 548 465-T
High-temperature sensor cable, TPR 017/018, 10 m, 250 °C	PT 448 047-T
High-temperature sensor cable, TPR 017/018, 15 m, 250 °C	PT 448 043-T
High-temperature sensor cable, TPR 017/018, 20 m, 250 °C	PT 448 044-T
High-temperature sensor cable, IKR 050/060, 3.0 m, 250 °C	PT 548 542-T
High-temperature sensor cable, IKR 050/060, 6.0 m, 250 °C	PT 548 543-T
High-temperature sensor cable, IKR 050/060, 10 m, 250 °C	PT 448 045-T
High-temperature sensor cable, IKR 050/060, 15 m, 250 °C	PT 548 989-T
High-temperature sensor cable, IKR 050/060, 20 m, 250 °C	PT 448 046-T