

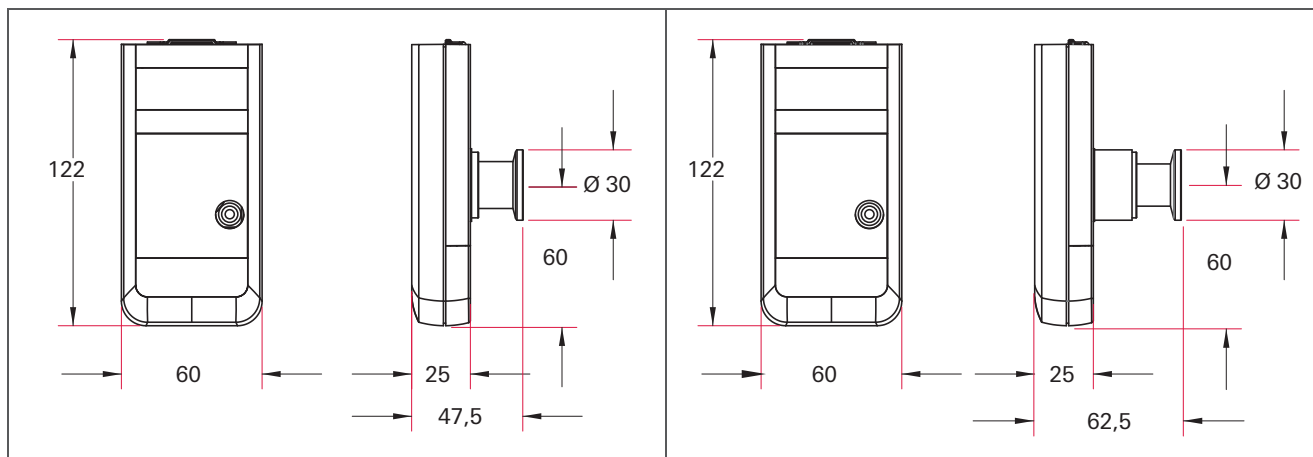
TPG 201, Pirani Handheld Vacuum Gauge

TPG 202, Piezo/Pirani Handheld Vacuum Gauge



- Battery-operated manual measurement unit
- Measurement range from $5 \cdot 10^{-4}$ to 1000 hPa
- Data logging function
- Data readout by PC
- Scope of delivery: Battery not included

Dimensions (in mm)



TPG 201, Pirani manual measurement unit

TPG 202, Pirani manual measurement unit

Technical data	TPG 201, Pirani manual measurement unit	TPG 202, Pirani manual measurement unit
Connection: Vacuum side	DN 16 ISO-KF	DN 16 ISO-KF
Battery type	9 V AIMn E bloc, 6 LR6 ; 9 V Lithium E bloc	9 V AIMn E bloc, 6 LR6 ; 9 V Lithium E bloc
Seal	Metal	Metal
Pressure max.	400 kPa	200 kPa
Accuracy 10 - 100 hPa: % of measurement	approx. 30	
Accuracy 10 ⁻² - 10 hPa: % of measurement	approx. 10	
Accuracy		1200 - 1000 hPa: 0,3 % Full Scale ; 10 ⁻² · 10 ⁻³ of reading ; ≤ 2 · 10 ⁻³ hPa : ≤ factor 2 of reading
Weight	0.195 kg	0.230 (battery included) kg
Materials in contact with media	Nickel, stainless steel, tungsten, glass- feedthroughs	Stainless steel, gold, nickel, tungsten, glass, FPM
Measurement range max.	1000 hPa	1200 hPa
Measurement range min.	5 · 10 ⁻⁴ hPa	5 · 10 ⁻⁴ hPa
Method of measurement	Pirani	Piezo and Pirani
Protection category	IP 40	IP 40
Temperature: Operating	5-40 °C	+5-+50 °C

Order number		
TPG 201, Pirani Handheld Vacuum Gauge	PT G28 201	PT G28 202

Accessories		
Accessories kit with AC adapter, battery, USB cable, DocuStar software	PT 350 102 -T	PT 350 102 -T