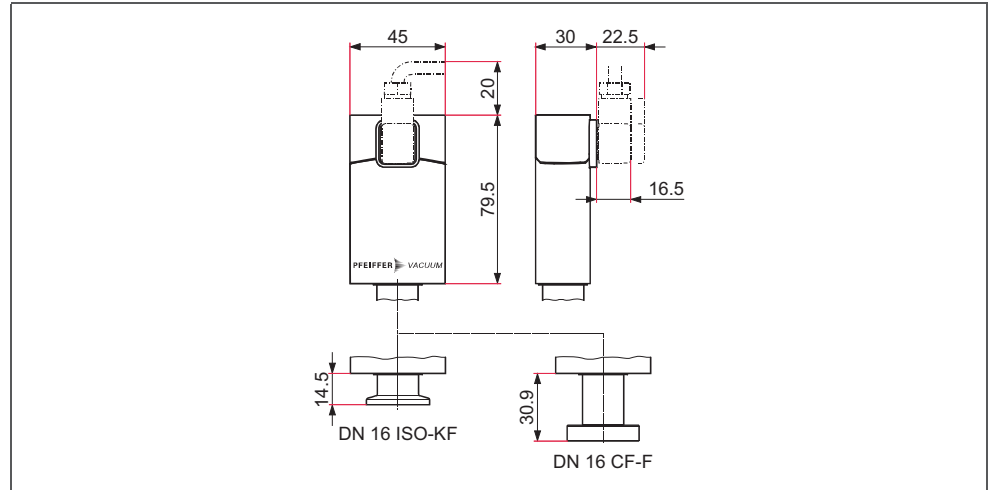


Pirani/Capacitance transmitters PCR (5 · 10⁻⁵ - 1500 hPa)



- Measurement range: 5 · 10⁻⁵ to 1500 hPa
- Bakeout temperature: 80 °C
- Output signal: 1,2 - 8,68 V logarithm of pressure
- Voltage supply: 15 - 30 V DC
- Metal-sealed, without plug

Dimensions (in mm)



Technical data	PCR 280, 80 °C, DN 16 ISO-KF	PCR 280, 80 °C, DN 16 CF-F
Flange (in)	DN 16 ISO-KF	DN 16 CF-F
Output signal: Pressure range	1.2 - 8,68 V	1.2 - 8.68 V
Output signal: Minimum load	10 kΩ	10 kΩ
Bakeout temperature	80 °C	80 °C
Seal	Metal	Metal
Pressure max.	5 bar	500 kPa
Feedthrough	Glass	Glass
Feature	Stainless steel, metal sealed	Stainless steel, metal sealed
Flange	Stainless steel	Stainless steel
Accuracy	5 · 10 ⁻⁴ - 1 · 10 ⁻³ hPa: ± 50 % ; 1 · 10 ⁻³ - 100 hPa: ± 15 % ; 100 - 950 hPa: ± 5 % ; 950 - 1100 hPa: ± 2,5 %	5 · 10 ⁻⁴ - 1 · 10 ⁻³ hPa: ± 50 % ; 1 · 10 ⁻³ - 100 hPa: ± 15 % ; 100 - 950 hPa: ± 5 % ; 950 - 1050 hPa: ± 2,5 %
Weight	120 g	120 g
Filament	Tungsten	Tungsten
Measurement range max.	1500 hPa	1500 hPa
Measurement range min.	5 · 10 ⁻⁵ hPa	5 · 10 ⁻⁵ hPa
Sensor cable length	100 m	100 m
Temperature: Operating	10-50 °C	10-50 °C
Temperature: Storage	-20-+65 °C	-20-+65 °C
Supply: Voltage	15-30 V DC	15-30 V DC
Supply: Power consumption max.	2.5 W	2.5 W
Volume	4.7 cm ³	4.7 cm ³
Repeatability: 10 ⁻³ - 1100 hPa	± 2 %	± 2 %

Order number		
Pirani/capacitance gauge PCR 280 (5 · 10 ⁻⁵ - 1500 hPa)	PT R26 855	PT R26 856

Accessories		
Centering ring with poral filter, Pore size: 20 μm, FPM/stainless steel, DN 16 ISO-KF	PF 117 216 -T	PF 117 216 -T
Sensor cable, 3 m	PT 448 250 -T	PT 448 250 -T
Mating connector	B 4707 283 MA	B 4707 283 MA