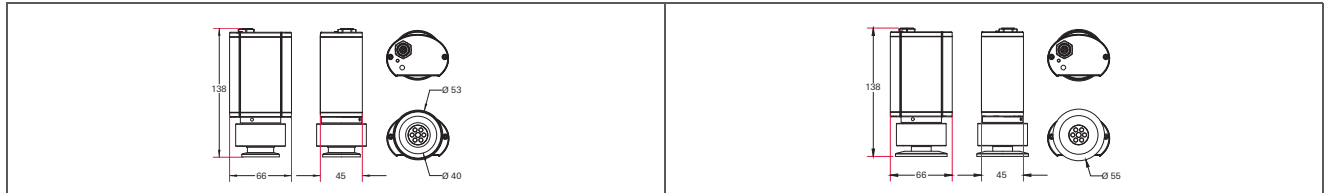


Pirani/Cold Cathode Gauge MPT 200 (5 · 10⁻⁹ – 1000 hPa)

- 5 · 10⁻⁹ to 1000 hPa
- Insensitive to gas inrush
- Customizable to vacuum application
- Profibus DP Interface (optional)
- DeviceNet Interface (optional)
- Analog output and set points (optional)

Dimensions (in mm)



MPT 200, DN 25 ISO-KF

MPT 200, DN 40 ISO-KF

Technical data	MPT 200, DN 25 ISO-KF, RS-485	MPT 200, DN 25 ISO-KF, RS-485, analog	MPT 200, DN 25 ISO-KF, RS-485, Profibus	MPT 200, DN 25 ISO-KF, RS-485, DeviceNet
Flange (in)	DN 25 ISO-KF	DN 25 ISO-KF	DN 25 ISO-KF	DN 25 ISO-KF
Seal	Metal	Metal	Metal	Metal
Pressure max.	400 kPa	400 kPa	400 kPa	400 kPa
Accuracy: % of measurement	1 · 10 ⁻⁸ - 2 · 10 ⁻³ hPa: ± 25 %, 2 · 10 ⁻³ - 10 hPa: ± 10 %, 10-100 hPa: ± 30 %, 100-1000 hPa: ± 50 %	1 · 10 ⁻⁸ - 2 · 10 ⁻³ hPa: ± 25 %, 2 · 10 ⁻³ - 10 hPa: ± 10 %, 10-100 hPa: ± 30 %, 100-1000 hPa: ± 50 %	1 · 10 ⁻⁸ - 2 · 10 ⁻³ hPa: ± 25 %, 2 · 10 ⁻³ - 10 hPa: ± 10 %, 10-100 hPa: ± 30 %, 100-1000 hPa: ± 50 %	1 · 10 ⁻⁸ - 2 · 10 ⁻³ hPa: ± 25 %, 2 · 10 ⁻³ - 10 hPa: ± 10 %, 10-100 hPa: ± 30 %, 100-1000 hPa: ± 50 %
Weight	555 g	555 g	555 g	555 g
Materials in contact with media	Tungsten, stainless steel, nickel, molybdenum, glass	Tungsten, stainless steel, nickel, molybdenum, glass	Tungsten, stainless steel, nickel, molybdenum, glass	Tungsten, stainless steel, nickel, molybdenum, glass
Measurement range max.	1000 hPa	1000 hPa	1000 hPa	1000 hPa
Measurement range min.	5 · 10 ⁻⁹ hPa	5 · 10 ⁻⁹ hPa	5 · 10 ⁻⁹ hPa	5 · 10 ⁻⁹ hPa
Sensor cable length max.	100 m	100 m	100 m	100 m
Method of measurement	Pirani/Cold cathode	Pirani/Cold cathode	Pirani/Cold cathode	Pirani/Cold cathode
Measuring cycle	10 ms	10 ms	10 ms	10 ms
Interface: Connection	RS-485, D-Sub-socket, 9-pole	Digital RS-485 ; M12, 5-pole; Analog 0-10 V; 2 SP; M12, 8-pole	Digital RS-485 , M12, 5-pole, Profibus DP, M12, 5-pole	Digital RS-485 , M12, 5-pole, DeviceNet, M12, 5-pole
Protection category	IP 54	IP 54	IP 54	IP 54
Cold cathode sensor control	Cold cathode sensor can be switched on and off via interface	Cold cathode sensor can be switched on and off via interface	Cold cathode sensor can be switched on and off via interface	Cold cathode sensor can be switched on and off via interface
Temperature: Bakeout (electronics removed)	180 °C	180 °C	180 °C	180 °C
Temperature: Operating	+5 - +60 °C	+5 - +60 °C	+5 - +60 °C	+5 - +60 °C
Temperature: Storage	-40-+65 °C	-40-+65 °C	-40-+65 °C	-40-+65 °C
Supply: Voltage	24 V DC	24 V DC	24 V DC	24 V DC
Supply: Power consumption max.	3.0 W	3.7 W	4.5 W	3.4 W
Volume	9.5 cm ³	9.5 cm ³	9.5 cm ³	9.5 cm ³
Repeatability: % of measurement	1 · 10 ⁻⁸ - 1 · 10 ⁻² hPa: ± 7 %; 1 · 10 ⁻² - 10 hPa: ± 2 %	1 · 10 ⁻⁸ - 1 · 10 ⁻² hPa: ± 7 %; 1 · 10 ⁻² - 10 hPa: ± 2 %	1 · 10 ⁻⁸ - 1 · 10 ⁻² hPa: ± 7 %; 1 · 10 ⁻² - 10 hPa: ± 2 %	1 · 10 ⁻⁸ - 1 · 10 ⁻² hPa: ± 7 %; 1 · 10 ⁻² - 10 hPa: ± 2 %

Order number				
MPT 200, DN 25 ISO-KF	PT R40 140	PT R40 141	PT R40 142	PT R40 143

Further accessories see controller DPG 202

Technical data	MPT 200, DN 40 ISO-KF, RS-485	MPT 200, DN 40 ISO-KF, RS-485, analog	MPT 200, DN 40 ISO-KF, RS-485, Profibus	MPT 200, DN 40 ISO-KF, RS-485, DeviceNet
Flange (in)	DN 40 ISO-KF	DN 40 ISO-KF	DN 40 ISO-KF	DN 40 ISO-KF
Seal	Metal	Metal	Metal	Metal
Pressure max.	400 kPa	400 kPa	400 kPa	400 kPa
Accuracy: % of measurement	1 · 10 ⁻⁸ - 2 · 10 ⁻³ hPa: ± 25 %, 2 · 10 ⁻³ - 10 hPa: ± 10 %, 10-100 hPa: ± 30 %; 100-1000 hPa: ± 50 %	1 · 10 ⁻⁸ - 2 · 10 ⁻³ hPa: ± 25 %, 2 · 10 ⁻³ - 10 hPa: ± 10 %, 10-100 hPa: ± 30 %; 100-1000 hPa: ± 50 %	1 · 10 ⁻⁸ - 2 · 10 ⁻³ hPa: ± 25 %, 2 · 10 ⁻³ - 10 hPa: ± 10 %, 10-100 hPa: ± 30 %; 100-1000 hPa: ± 50 %	1 · 10 ⁻⁸ - 2 · 10 ⁻³ hPa: ± 25 %, 2 · 10 ⁻³ - 10 hPa: ± 10 %, 10-100 hPa: ± 30 %; 100-1000 hPa: ± 50 %
Weight	580 g	580 g	580 g	580 g
Materials in contact with media	Tungsten, stainless steel, nickel, molybdenum, glass	Tungsten, stainless steel, nickel, molybdenum, glass	Tungsten, stainless steel, nickel, molybdenum, glass	Tungsten, stainless steel, nickel, molybdenum, glass
Measurement range max.	1000 hPa	1000 hPa	1000 hPa	1000 hPa
Measurement range min.	5 · 10 ⁻⁹ hPa	5 · 10 ⁻⁹ hPa	5 · 10 ⁻⁹ hPa	5 · 10 ⁻⁹ hPa
Sensor cable length max.	100 m	100 m	100 m	100 m
Method of measurement	Pirani/Cold cathode	Pirani/Cold cathode	Pirani/Cold cathode	Pirani/Cold cathode
Measuring cycle	10 ms	10 ms	10 ms	10 ms
Interface: Connection	RS-485, D-Sub-socket, 9-pole	Digital RS-485 ; M12, 5-pole; Analog 0-10 V; 2 SP; M12, 8-pole	Digital RS-485 , M12, 5-pole, Profibus DP, M12, 5-pole	Digital RS-485 , M12, 5-pole, DeviceNet, M12, 5-pole
Protection category	IP 54	IP 54	IP 54	IP 54
Cold cathode sensor control	Cold cathode sensor can be switched on and off via interface	Cold cathode sensor can be switched on and off via interface	Cold cathode sensor can be switched on and off via interface	Cold cathode sensor can be switched on and off via interface
Temperature: Bakeout (electronics removed)	180 °C	180 °C	180 °C	180 °C
Temperature: Operating	+5 - +60 °C	+5 - +60 °C	+5 - +60 °C	+5 - +60 °C
Temperature: Storage	-40+65 °C	-40+65 °C	-40+65 °C	-40+65 °C
Supply: Voltage	24 V DC	24 V DC	24 V DC	24 V DC
Supply: Power consumption max.	3.0 W	3.7 W	4.5 W	3.4 W
Volume	9.5 cm ³	9.5 cm ³	9.5 cm ³	9.5 cm ³
Repeatability: % of measurement	1 · 10 ⁻⁸ - 1 · 10 ⁻² hPa: ± 7 %; 1 · 10 ⁻² - 10 hPa: ± 2 %	1 · 10 ⁻⁸ - 1 · 10 ⁻² hPa: ± 7 %; 1 · 10 ⁻² - 10 hPa: ± 2 %	1 · 10 ⁻⁸ - 1 · 10 ⁻² hPa: ± 7 %; 1 · 10 ⁻² - 10 hPa: ± 2 %	1 · 10 ⁻⁸ - 1 · 10 ⁻² hPa: ± 7 %; 1 · 10 ⁻² - 10 hPa: ± 2 %

Order number				
MPT 200, DN 40 ISO-KF	PT R40 150	PT R40 151	PT R40 152	PT R40 153

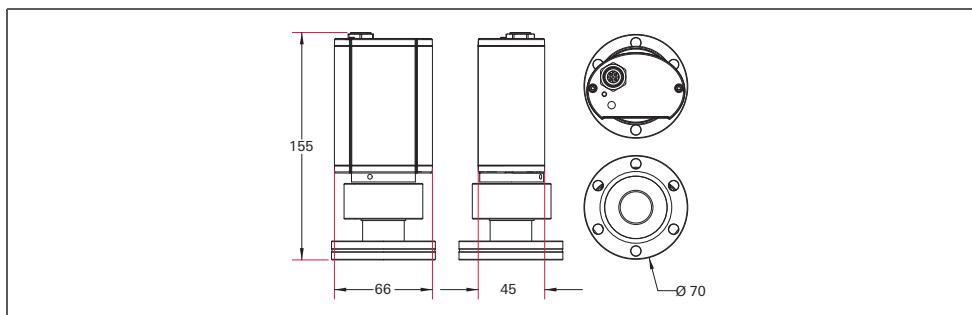
Further accessories see controller DPG 202

Pirani/Cold Cathode Gauge MPT 200 ($5 \cdot 10^{-9}$ – 1000 hPa)



- $5 \cdot 10^{-9}$ to 1000 hPa
- Insensitive to gas inrush
- Customizable to vacuum application
- Profibus DP Interface (optional)
- DeviceNet Interface (optional)
- Analog output and set points (optional)

Dimensions (in mm)



MPT 200, DN 40 CF-F

Technical data	MPT 200, DN 40 CF-F, RS-485	MPT 200, DN 40 CF-F, RS-485, analog	MPT 200, DN 40 CF-F, RS-485, Profibus	MPT 200, DN 40 CF-F, RS-485, DeviceNet
Flange (in)	DN 40 CF-F	DN 40 CF-F	DN 40 CF-F	DN 40 CF-F
Seal	Metal	Metal	Metal	Metal
Pressure max.	400 kPa	400 kPa	400 kPa	400 kPa
Accuracy: % of measurement	1 · 10 ⁻⁸ - 2 · 10 ⁻³ hPa: ± 25 %, 2 · 10 ⁻³ - 10 hPa: ± 10 %, 10-100 hPa: ± 30 %; 100-1000 hPa: ± 50 %	1 · 10 ⁻⁸ - 2 · 10 ⁻³ hPa: ± 25 %, 2 · 10 ⁻³ - 10 hPa: ± 10 %, 10-100 hPa: ± 30 %; 100-1000 hPa: ± 50 %	1 · 10 ⁻⁸ - 2 · 10 ⁻³ hPa: ± 25 %, 2 · 10 ⁻³ - 10 hPa: ± 10 %, 10-100 hPa: ± 30 %; 100-1000 hPa: ± 50 %	1 · 10 ⁻⁸ - 2 · 10 ⁻³ hPa: ± 25 %, 2 · 10 ⁻³ - 10 hPa: ± 10 %, 10-100 hPa: ± 30 %; 100-1000 hPa: ± 50 %
Weight	850 g	850 g	850 g	850 g
Materials in contact with media	Tungsten, stainless steel, nickel, molybdenum, glass	Tungsten, stainless steel, nickel, molybdenum, glass	Tungsten, stainless steel, nickel, molybdenum, glass	Tungsten, stainless steel, nickel, molybdenum, glass
Measurement range max.	1000 hPa	1000 hPa	1000 hPa	1000 hPa
Measurement range min.	5 · 10 ⁻⁹ hPa	5 · 10 ⁻⁹ hPa	5 · 10 ⁻⁹ hPa	5 · 10 ⁻⁹ hPa
Sensor cable length max.	100 m	100 m	100 m	100 m
Method of measurement	Pirani/Cold cathode	Pirani/Cold cathode	Pirani/Cold cathode	Pirani/Cold cathode
Measuring cycle	10 ms	10 ms	10 ms	10 ms
Interface: Connection	RS-485, D-Sub-socket, 9-pole	Digital RS-485 ; M12, 5-pole; Analog 0-10 V; 2 SP; M12, 8-pole	Digital RS-485 , M12, 5-pole, Profibus DP, M12, 5-pole	Digital RS-485 , M12, 5-pole, DeviceNet, M12, 5-pole
Protection category	IP 54	IP 54	IP 54	IP 54
Cold cathode sensor control	Cold cathode sensor can be switched on and off via interface	Cold cathode sensor can be switched on and off via interface	Cold cathode sensor can be switched on and off via interface	Cold cathode sensor can be switched on and off via interface
Temperature: Bakeout (electronics removed)	180 °C	180 °C	180 °C	180 °C
Temperature: Operating	+5 - +60 °C	+5 - +60 °C	+5 - +60 °C	+5 - +60 °C
Temperature: Storage	-40+65 °C	-40+65 °C	-40+65 °C	-40+65
Supply: Voltage	24 V DC	24 V DC	24 V DC	24 V DC
Supply: Power consumption max.	3.0 W	3.7 W	4.5 W	3.4 W
Volume	9.5 cm ³	9.5 cm ³	9.5 cm ³	9.5 cm ³
Repeatability: % of measurement	1 · 10 ⁻⁸ - 1 · 10 ⁻² hPa: ± 7 %; 1 · 10 ⁻² - 10 hPa: ± 2 %	1 · 10 ⁻⁸ - 1 · 10 ⁻² hPa: ± 7 %; 1 · 10 ⁻² - 10 hPa: ± 2 %	1 · 10 ⁻⁸ - 1 · 10 ⁻² hPa: ± 7 %; 1 · 10 ⁻² - 10 hPa: ± 2 %	1 · 10 ⁻⁸ - 1 · 10 ⁻² hPa: ± 7 %; 1 · 10 ⁻² - 10 hPa: ± 2 %

Order number				
MPT 200, DN 40 CF-F	PT R40 350	PT R40 351	PT R40 352	PT R40 353

Further accessories see controller DPG 202