



# IMR 430, DN 40 CF-F, Extractor system

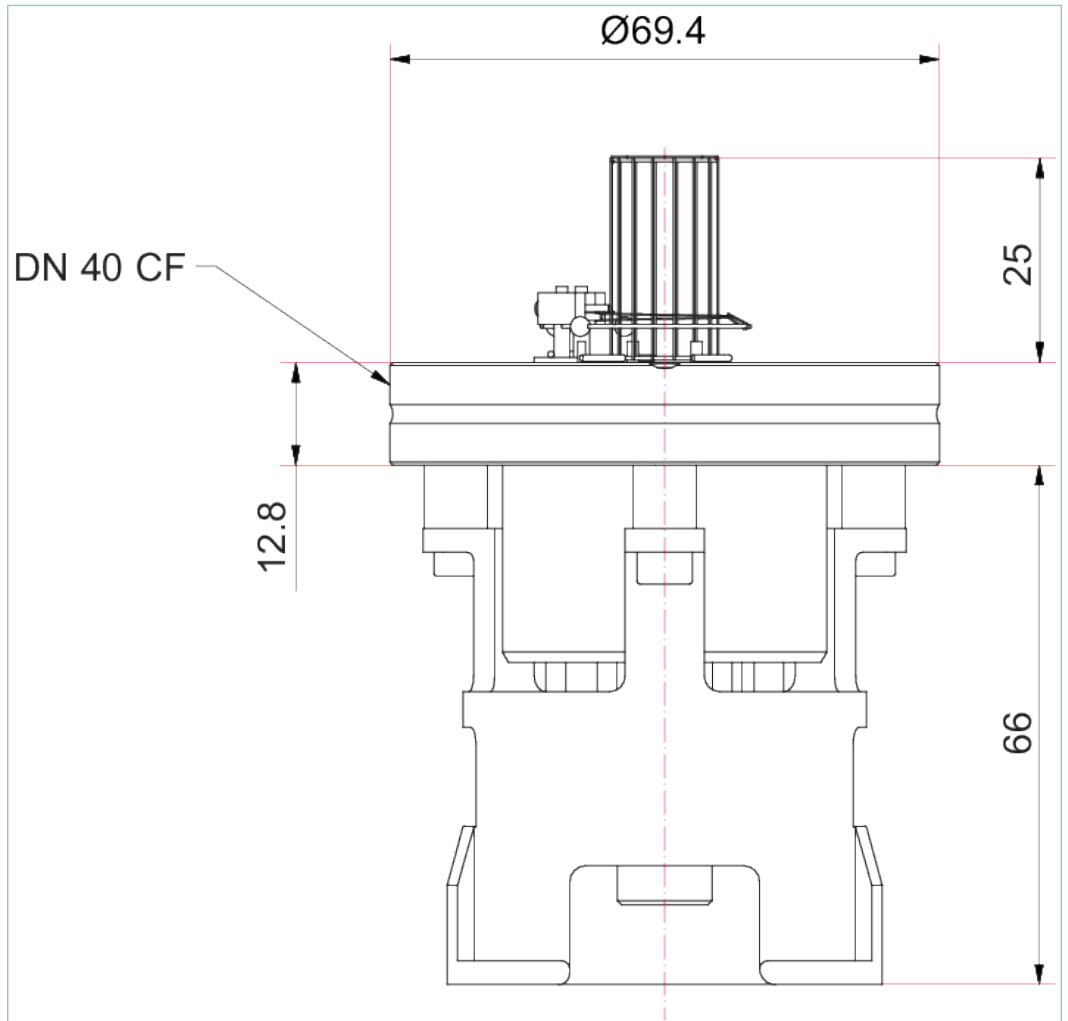


Similar Image

## IMR 430, DN 40 CF-F, Extractor system

- X-ray limit <math>1 \cdot 10^{-12}</math> hPa
- Bakeout temperature: 400 °C
- Constant emission current
- Operation only with hot cathode controller IMG 400

### Dimensions



Technical Data	IMR 430, DN 40 CF-F, Extractor system
Anode	Mo and CoNiCr
Bakeout temperature without cable	$\leq 400 \text{ °C} \mid \leq 752 \text{ °F} \mid \leq 673 \text{ K}$
Collector	Tungsten
Feedthrough	NiFe
Filament	Iridium coated with $\text{Y}_2\text{O}_3$
Flange, Material	Stainless steel
Insulator	$\text{Al}_2\text{O}_3$ ceramic, glazed
Measurement range	$2 \cdot 10^{-12} - 1 \cdot 10^{-4}$ hPa
Method of measurement	Extractor-system
Nominal diameter	DN 40 CF-F

Order number	
IMR 430	PT T08 359 900

Accessories	
<b>Cables Measurement cables</b>	
Measurement Cable IMG 400 for IMR 420 and IMR 430, 3 m	PT 548 342 -T
Measurement Cable IMG 400 for IMR 420 and IMR 430, 5 m	PT 548 343 -T
Measurement Cable IMG 400 for IMR 420 and IMR 430, 10 m	PT 548 344 -T
Measurement Cable IMG 400 for IMR 420 and IMR 430, 50 m	PT 548 348 -T

## **VACUUM SOLUTIONS FROM A SINGLE SOURCE**

Pfeiffer Vacuum stands for innovative and custom vacuum solutions worldwide, technological perfection, competent advice and reliable service.

## **COMPLETE RANGE OF PRODUCTS**

From a single component to complex systems:

We are the only supplier of vacuum technology that provides a complete product portfolio.

## **COMPETENCE IN THEORY AND PRACTICE**

Benefit from our know-how and our portfolio of training opportunities!

We support you with your plant layout and provide first-class on-site service worldwide.

Are you looking for a  
perfect vacuum solution?  
Please contact us:

**Pfeiffer Vacuum GmbH**  
Headquarters · Germany  
T +49 6441 802-0  
info@pfeiffer-vacuum.de

[www.pfeiffer-vacuum.com](http://www.pfeiffer-vacuum.com)

All data subject to change without prior notice.

**PFEIFFER**  **VACUUM**