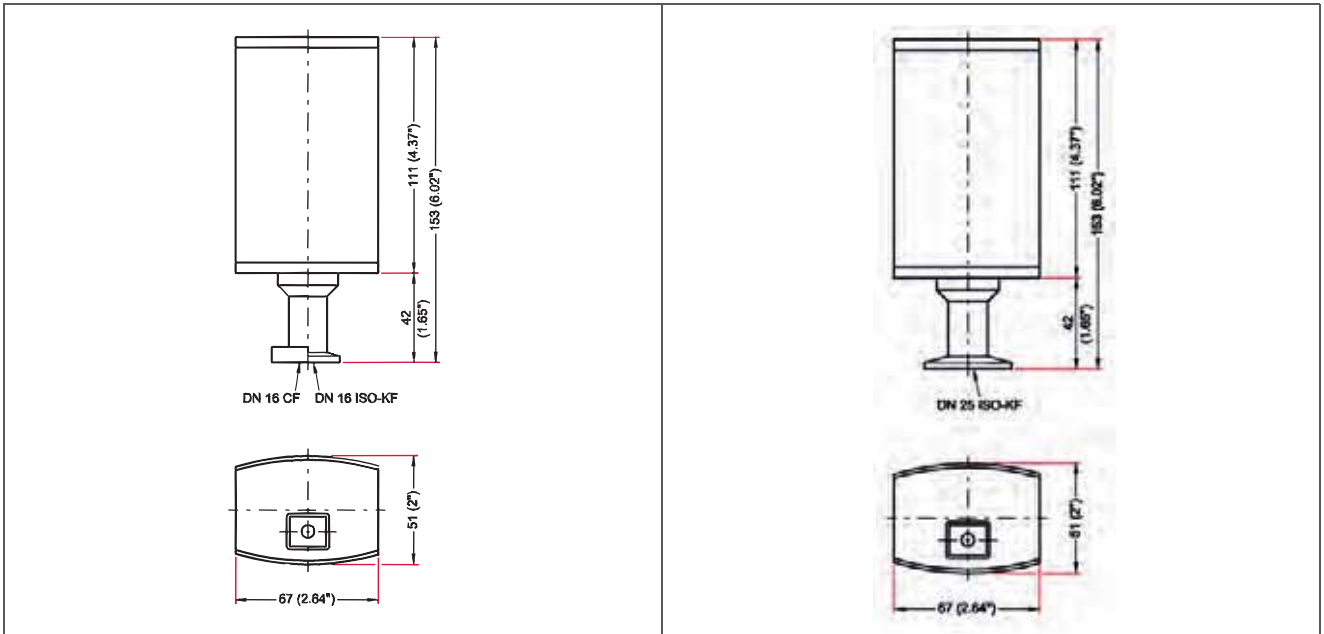


### Hot Cathode transmitters IMR (2 · 10<sup>-6</sup> - 1000 hPa)



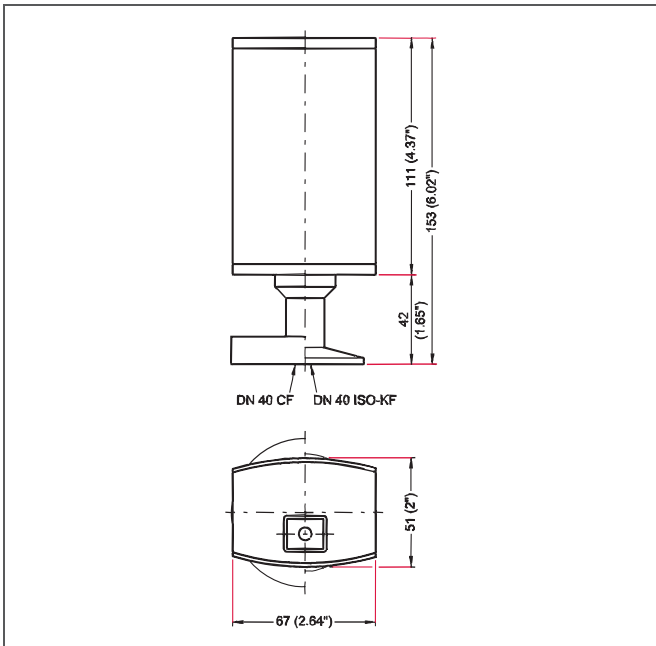
- Measurement range from 2 · 10<sup>-6</sup> to 1000 hPa
- Two gauge heads (Pirani and hot cathode) in a single case
- Highly accurate
- Excellent reproducibility
- Automatic cathode protection
- A single flange from atmosphere to UHV
- Corrosion-resistant
- Maximum pressure refers to inert gases and temperatures of less than 55 °C

**Dimensions (in mm)**



IMR 265, DN 16 CF-F

IMR 265, DN 25 ISO-KF



IMR 265, DN 40 CF-F

Technical data	IMR 265, High Pressure Hot Cathode
Output signal: Sensor error	0.5 V
Output signal: Pressure range Ioni	1.5 - 7.5 V
Output signal: Pressure range Pirani	8.5 - 9.75 V
Output signal: Minimum load	10 kΩ
Bakeout temperature	150 °C, electronic removed
Pressure max.	500 kPa
Electron collector	Stainless steel
Flange	Stainless steel
Accuracy: % of measurement	10 <sup>-5</sup> - 1 hPa: ± 15 %
Filament holder	Molybdenum, Platinum
Ion collector	Stainless steel
Isolator	Glass
Filament	Iridium yttriated
Measurement range max.	1000 hPa
Measurement range min.	2 · 10 <sup>-6</sup> hPa
Sensor cable length	100 m
Pirani measurement element	Copper, Tungsten
Temperature: Operating	0-50 °C
Temperature: Storage	-20-+70 °C
Supply: Voltage	20-30 V DC
Supply: Power consumption max.	16 W
Volume	20 cm <sup>3</sup>
Repeatability: 10 <sup>-1</sup> - 10 <sup>2</sup> hPa	30 % reading
Repeatability: 10 <sup>-5</sup> - 10 <sup>-1</sup> hPa	2 % reading

	IMR 265, High Pressure Hot Cathode
Flange (in)	DN 16 ISO-KF
Weight	270 g
<b>Order number</b>	<b>PT R26 504</b>
Flange (in)	DN 25 ISO-KF
Weight	285 g
<b>Order number</b>	<b>PT R26 500</b>
Flange (in)	DN 40 ISO-KF
Weight	315 g
<b>Order number</b>	<b>PT R26 501</b>
Flange (in)	DN 16 CF-F
Weight	400 g
<b>Order number</b>	<b>PT R26 502</b>
Flange (in)	DN 40 CF-F
Weight	550 g
<b>Order number</b>	<b>PT R26 503</b>

Accessories	
Sensor cable, 3 m	PT 448 250 -T
Mating connector	B 4707 283 MA