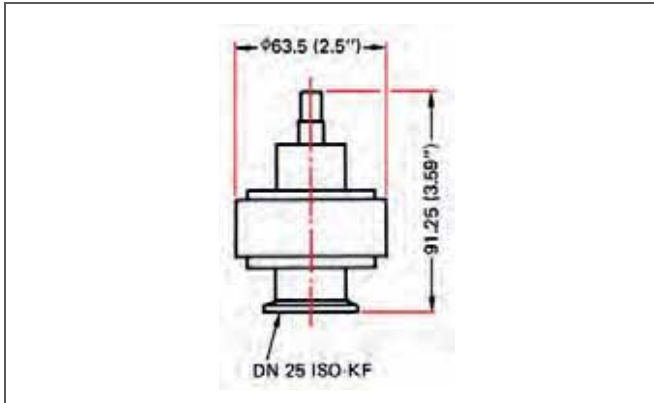


Cold cathode gauge heads

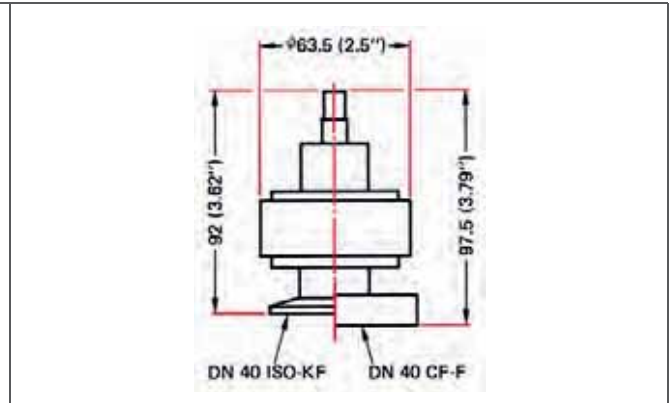


- IKR 050 coaxial**
 - For general applications
- IKR 060 coaxial**
 - For UHV
 - Radiation-resistant
- IKR 070 coaxial**
 - For UHV
 - Radiation-resistant

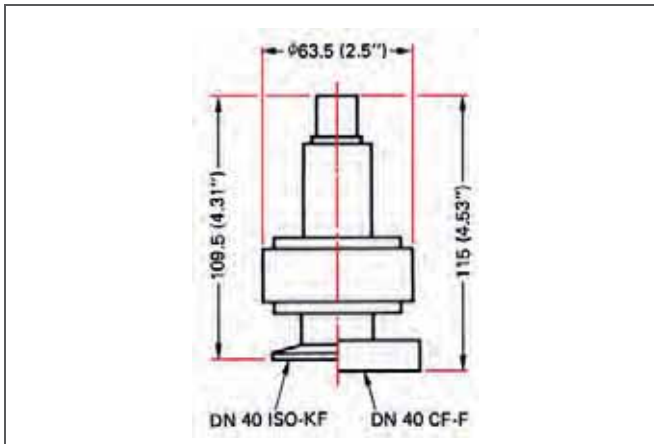
Dimensions (in mm)



IKR 050 coaxial



IKR 050, coaxial
IKR 060



IKR 070 coaxial

Technical data	Cold cathode gauge head IKR 050, coaxial, FPM seal	Cold cathode gauge head IKR 060, coaxial, metal seal	Cold cathode gauge head IKR 070, triaxial, metal seal
Bakeout temperature	150 °C	250 °C	250 °C
Operating temperature: high temperature sensor cable	5-150 °C	5-250 °C	
Operating temperature: standard sensor cable	5-80 °C	5-80 °C	5-80 °C
Internal seal	FPM	Silver	Silver
Flange	Stainless steel	Stainless steel	Stainless steel
Isolator	Al ₂ O ₃	Al ₂ O ₃	Al ₂ O ₃
Measurement range max.	5 · 10 ⁻³ hPa	5 · 10 ⁻³ hPa	5 · 10 ⁻³ hPa
Measurement range min.	2 · 10 ⁻⁹ hPa	1 · 10 ⁻¹⁰ hPa	1 · 10 ⁻¹¹ hPa
Radiation resistance		1 · 10 ⁷ Gy	1 · 10 ⁷ Gy

	Cold cathode gauge head IKR 050, coaxial, FPM seal	Cold cathode gauge head IKR 060, coaxial, metal seal	Cold cathode gauge head IKR 070, triaxial, metal seal
Flange (in)	DN 25 ISO-KF		
Weight	0.6 kg		
Order number	PT R18 500		
Flange (in)	DN 40 ISO-KF	DN 40 ISO-KF	DN 40 ISO-KF
Weight	0.6 kg	0.6 kg	0.6 kg
Order number	PT R18 501	PT R18 753	PT R20 501
Flange (in)	DN 40 CF-F	DN 40 CF-F	DN 40 CF-F
Weight	0.85 kg	0.85 kg	0.85 kg
Order number	PT R18 502	PT R18 751	PT R20 502

Accessories			
Sensor cable, IKR 050/060, 3.0 m, 80 °C	PT 548 406-T	PT 548 406-T	
Sensor cable, IKR 050/060, 6.0 m, 80 °C	PT 548 407-T	PT 548 407-T	
Sensor cable, IKR 070, 3.0 m, 80 °C			PT 548 306-T
Sensor cable, IKR 070, 6.0 m, 80 °C			PT 548 317-T

Gauge head accessories

Sensor cables	Order number
Sensor cable, TPR 017/018, 3.0 m, 80 °C	PT 548 308-T
Sensor cable, TPR 017/018, 6.0 m, 80 °C	PT 548 309-T
Sensor cable, TPR 017/018, 10 m, 80 °C	PT 548 456-T
Sensor cable, TPR 017/018, 15 m, 80 °C	PT 548 457-T
Sensor cable, TPR 017/018, 20 m, 80 °C	PT 548 458-T
Sensor cable, TPR 017/018, 25 m, 80 °C	PT 548 459-T
Sensor cable, TPR 017/018, 30 m, 80 °C	PT 548 460-T
Sensor cable, TPR 017/018, 35 m, 80 °C	PT 548 461-T
Sensor cable, TPR 017/018, 40 m, 80 °C	PT 548 462-T
Sensor cable, TPR 017/018, 45 m, 80 °C	PT 548 463-T
Sensor cable, TPR 017/018, 50 m, 80 °C	PT 548 464-T
Sensor cable, TPR 010, 2.0 m, 80 °C	PT 548 401-T
Sensor cable, TPR 010, 3.0 m, 80 °C	PT 548 402-T
Sensor cable, TPR 010, 6.0 m, 80 °C	PT 548 403-T
Sensor cable, TPR 010, 30 m, 80 °C	PT 548 415-T
Sensor cable, TPR 010, 40 m, 80 °C	PT 548 416-T
Sensor cable, TPR 010, 50 m, 80 °C	PT 548 417-T
Sensor cable, TPR 010, 10 m, 80 °C	PT 548 450-T
Sensor cable, TPR 010, 15 m, 80 °C	PT 548 451-T
Sensor cable, TPR 010, 20 m, 80 °C	PT 548 452-T
Sensor cable, TPR 010, 25 m, 80 °C	PT 548 453-T
Sensor cable, TPR 010, 35 m, 80 °C	PT 548 454-T
Sensor cable, TPR 010, 45 m, 80 °C	PT 548 455-T
Sensor cable, IKR 050/060, 3.0 m, 80 °C	PT 548 406-T
Sensor cable, IKR 050/060, 6.0 m, 80 °C	PT 548 407-T
Sensor cable, IKR 050/060, 10 m, 80 °C	PT 548 419-T
Sensor cable, IKR 050/060, 30 m, 80 °C	PT 548 422-T
Sensor cable, IKR 050/060, 15 m, 80 °C	PT 548 483-T
Sensor cable, IKR 050/060, 20 m, 80 °C	PT 548 484-T
Sensor cable, IKR 050/060, 25 m, 80 °C	PT 548 485-T
Sensor cable, IKR 050/060, 35 m, 80 °C	PT 548 486-T
Sensor cable, IKR 050/060, 40 m, 80 °C	PT 548 487-T
Sensor cable, IKR 050/060, 45 m, 80 °C	PT 548 488-T
Sensor cable, IKR 050/060, 50 m, 80 °C	PT 548 489-T
Sensor cable, IKR 070, 3.0 m, 80 °C	PT 548 306-T
Sensor cable, IKR 070, 6.0 m, 80 °C	PT 548 317-T
Sensor cable, IKR 070, 10 m, 80 °C	PT 548 490-T
Sensor cable, IKR 070, 15 m, 80 °C	PT 548 491-T
Sensor cable, IKR 070, 20 m, 80 °C	PT 548 492-T
Sensor cable, IKR 070, 30 m, 80 °C	PT 548 493-T
Sensor cable, IKR 070, 40 m, 80 °C	PT 548 494-T
Sensor cable, IKR 070, 45 m, 80 °C	PT 548 495-T
Sensor cable, IKR 070, 50 m, 80 °C	BP 229 748-T

Extension for sensor cables	Order number
Extension for sensor cable, TPR 010/017/018, 10 m, 80 °C	PT 548 466-T
Extension for sensor cable, TPR 010/017/018, 20 m, 80 °C	PT 548 468-T
Extension for sensor cable, TPR 010/017/018, 30 m, 80 °C	PT 548 470-T
Extension for sensor cable, TPR 010/017/018, 40 m, 80 °C	PT 548 472-T
Extension for sensor cable, TPR 010/017/018, 50 m, 80 °C	PT 548 474-T

High-temperature sensor cables	Order number
High-temperature sensor cable, TPR 017/018, 3.0 m, 250 °C	PT 548 414-T
High-temperature sensor cable, TPR 017/018, 6.0 m, 250 °C	PT 548 465-T
High-temperature sensor cable, TPR 017/018, 10 m, 250 °C	PT 448 047-T
High-temperature sensor cable, TPR 017/018, 15 m, 250 °C	PT 448 043-T
High-temperature sensor cable, TPR 017/018, 20 m, 250 °C	PT 448 044-T
High-temperature sensor cable, IKR 050/060, 3.0 m, 250 °C	PT 548 542-T
High-temperature sensor cable, IKR 050/060, 6.0 m, 250 °C	PT 548 543-T
High-temperature sensor cable, IKR 050/060, 10 m, 250 °C	PT 448 045-T
High-temperature sensor cable, IKR 050/060, 15 m, 250 °C	PT 548 989-T
High-temperature sensor cable, IKR 050/060, 20 m, 250 °C	PT 448 046-T