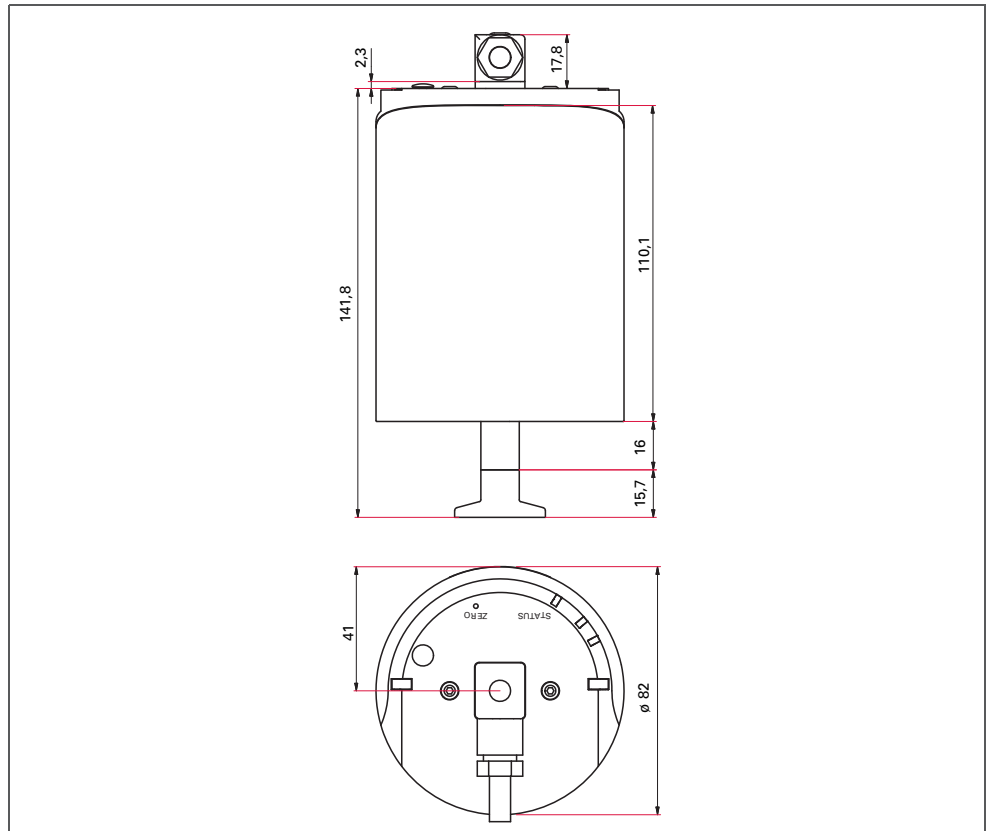


Capacitance transmitters CMR (1 · 10⁻⁵ - 1100 hPa) temperature regulated



- Sensor in ceramic technology
- No memory effects
- Materials employed have identical temperature coefficients
- Excellent temperature compensation
- Resistant to corrosive gases
- Excellent zero stability
- Additional protection against pollution by sensor shield

Dimensions (in mm)



Technical data	CMR 371, 1000 hPa F.S.	CMR 372, 100 hPa F.S.	CMR 373, 10 hPa F.S.	CMR 374, 1 hPa F.S.	CMR 375, 0.1 hPa F.S.
Resolution	0.003 % F.S.	0.003 % F.S.	0.003 % F.S.	0.003 % F.S.	0.003 % F.S.
Output signal: Sensor error above	> 9.8 V	> 9.8 V	> 9.8 V	> 9.8 V	> 9.8 V
Output signal: Sensor error below	< 0.4 V	< 0.4 V	< 0.4 V	< 0.4 V	< 0.4 V
Output signal: Pressure range	1.0 - 9.8 V	1.0 - 9.8 V	1.0 - 9.8 V	1.0 - 9.8 V	1.0 - 9.8 V
Output signal: Minimum load	> 10 kΩ	> 10 kΩ	> 10 kΩ	> 10 kΩ	> 10 kΩ
Bakeout temperature max. at the flange	≤ 110 °C	≤ 110 °C	≤ 110 °C	≤ 110 °C	≤ 110 °C
Pressure max.	300 kPa	2 bar	2 bar	2 bar	1,3 bar
Accuracy: % of measurement	0.15	0.15	0.15	0.15	0.15
Weight	≤ 900 g	≤ 900 g	≤ 900 g	≤ 900 g	≤ 900 g
Membrane and measuring chamber	Ceramics (Al ₂ O ₃ ≤ 99,5 %)	Ceramics (Al ₂ O ₃ ≤ 99,5 %)	Ceramics (Al ₂ O ₃ ≤ 99,5 %)	Ceramics (Al ₂ O ₃ ≤ 99,5 %)	Ceramics (Al ₂ O ₃ ≤ 99,5 %)
Measurement range max.	1100 hPa	110 hPa	11 hPa	1.1 hPa	0.11 hPa
Measurement range min.	1 · 10 ⁻¹ hPa	1 · 10 ⁻² hPa	1 · 10 ⁻³ hPa	1 · 10 ⁻⁴ hPa	1 · 10 ⁻⁵ hPa
Response time	30 ms	30 ms	30 ms	30 ms	130 ms
Pipe and flange	Stainless steel	Stainless steel	Stainless steel	Stainless steel	Stainless steel
Protection category	IP 40	IP 40	IP 40	IP 40	IP 40
Temperature: Operating	10-40 °C	10-40 °C	10-40 °C	10-40 °C	10-40 °C
Temperature effect: on span	0.01 % of reading/°C	0.01 % of reading/°C	0.01 % of reading/°C	0.01 % of reading/°C	0.01 % of reading/°C
Temperature effect: on zero	0.0025 % F.S./°C	0.0025 % F.S./°C	0.0025 % F.S./°C	0.0025 % F.S./°C	0.005 % F.S./°C
Temperature: Storage	-40-+65 °C	-40-+65 °C	-40-+65 °C	-40-+65 °C	-40-+65 °C
Temperature stabilization	45 °C	45 °C	45 °C	45 °C	45 °C
Supply: Voltage	14-30 V DC	14-30 V DC	14-30 V DC	14-30 V DC	14-30 V DC
Supply: Power consumption max.	≤ 12 W	≤ 12 W	≤ 12 W	≤ 12 W	≤ 12 W
Volume	≤ 4.2 cm ³	≤ 4.2 cm ³	≤ 4.2 cm ³	≤ 4.2 cm ³	≤ 4.2 cm ³

	CMR 371, 1000 hPa F.S.	CMR 372, 100 hPa F.S.	CMR 373, 10 hPa F.S.	CMR 374, 1 hPa F.S.	CMR 375, 0.1 hPa F.S.
Flange (in)	Tube OD 1/2"	Tube AD 1/2"	Tube OD 1/2"	Tube OD 1/2"	Tube OD 1/2"
Order number	PT R25 100	PT R25 110	PT R25 120	PT R25 130	PT R25 140
Flange (in)	DN 16 ISO-KF	DN 16 ISO-KF	DN 16 ISO-KF	DN 16 ISO-KF	DN 16 ISO-KF
Order number	PT R25 101	PT R25 111	PT R25 121	PT R25 131	PT R25 141
Flange (in)	DN 16 CF-R	DN 16 CF-R	DN 16 CF-R	DN 16 CF-R	DN 16 CF-R
Order number	PT R25 102	PT R25 112	PT R25 122	PT R25 132	PT R25 142
Flange (in)	Cajon 8 VCR	Cajon 8 VCR	Cajon 8 VCR	Cajon 8 VCR	Cajon 8 VCR
Order number	PT R25 103	PT R25 113	PT R25 123	PT R25 133	PT R25 143

Accessories					
Sensor cable, 3 m	PT 448 250 -T	PT 448 250 -T	PT 448 250 -T	PT 448 250 -T	PT 448 250 -T
Mating connector	B 4707 283 MA	B 4707 283 MA	B 4707 283 MA	B 4707 283 MA	B 4707 283 MA