

PORTABLE – ASM 310

Combining light weight and superior performance

Powerful

Highly compact and light in weight, the leak detector ASM 310 requires low maintenance. Its low weight and universal voltage enable the ASM 310 to be easily operated anywhere in the world. A transport case to safeguard against shipping damage and a trolley are available as accessories.

Superior performance

- | | |
|--------------------------------|--|
| ■ Backing capacity | 1.7 m ³ /h |
| ■ Pumping speed for He | 1.1 l/s |
| ■ Inlet pressure | 15 hPa |
| ■ Minimum detectable leak rate | 5 · 10 ⁻¹³ Pa m ³ /s |

User-friendly

The control panel integrates magnets, enabling the operator to place it on a metallic base.

The unique color touchscreen display can be individually adjusted. As a result, only information that the user actually needs for his task are displayed. The menu is password-protected to prevent unauthorized access to the settings of the device.

Compatible

The ASM 310 can likewise be operated with the wireless remote control RC 500 WL. This enables the leak detector to be operated even from a distance of up to 100 meters.



Detachable control panel
(with approx. 2 m long cable)



Remote control RC 500 WL

Customer benefits

- Lightweight and portable, only 21 kg
- Smart design with retractable handle
- Easy to move
- Detachable control panel
- On-demand operating interface
- Intuitive and customizable menu
- Small footprint, small size
- Can be operated in any position
- Large, bright color touchscreen
- Color graphics functionality
- Password-protected display
- Integrated SD memory card for recording, downloading data and parameter settings
- Voice synthesizer



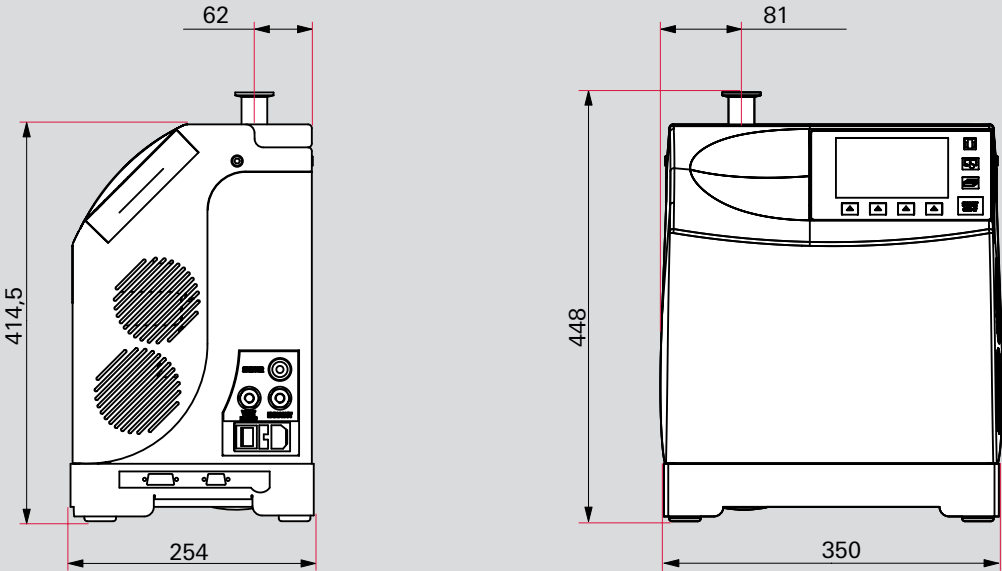
Applications

- Semiconductor industry
- Analytics and research
- Industrial applications
- Power plants

PORTABLE – ASM 310

Combining light weight and superior performance

Dimensions



Dimensions in mm

Technical data

Portable leak detector	ASM 310
Test methods	Vacuum and sniffing leak detection
Minimum detectable leak rate for Helium (vacuum leak detection)	$5 \cdot 10^{-13}$ Pa m ³ /s
Minimum detectable leak rate for Helium (sniffer leak detection)	$1 \cdot 10^{-8}$ Pa m ³ /s
Detectable gases	⁴ He, ³ He, H ₂
Maximum inlet test pressure	15 hPa
Backing pump capacity	1.7 m ³ /h
Pumping speed for He	1.1 l/s
Flange (in)	DN 25 ISO-KF
Start-up time (20 °C)	< 2 min (< 3.5 min with auto-calibration)
Response time (sniffing leak detection)	< 1 s
Interface	RS-232
I/O interfaces	Digital input Analog output (mantissa) Analog output (exponent)
Dimensions	350 x 245 x 414 mm
Weight	21 kg
Universal voltage	100–240 V AC; 50/60 Hz
Maximum power consumption	300 W
Helium background suppression	Automatic / manual
Operator interface	Color touchscreen
Selectable languages	English, French, German, Italian, Spanish, Russian, Japanese, Chinese, Korean

Order numbers

	Order number
ASM 310	BSAA0000MM9A

Order numbers accessories

Accessories	Order number
Country-specific power cables	
UK	104411
Italy	104758
Switzerland	103718
Remote control RC 500 WL, wireless	PT 445 432-T
Trolley	114820
Transportation case	119594

General accessories for our leak detectors will be found on page 46.