

SNIFFER LEAK DETECTOR – ASM 102 S

Portable sniffer leak detector for locating even the smallest leaks quickly and accurately

Localization of leaks

The ASM 102 S sniffer leak detector is the ideal solution for accurately locating minor leaks. This unit has a wide measuring range from 0.1 ppm up to 100% helium. With a detection limit of up to $1 \cdot 10^{-8}$ Pa m³/s leaks are detected accurately and fast.

This leak detector is very easy to operate and even inexperienced users achieve reliable results. Delivery of important status messages by voice synthesizer and a remote control facility are additional features for the user's convenience.

Portable and flexible

The ASM 102 S sniffer leak detector with its 18 kg lightweight design and small footprint is ideally suited for maintenance work in restricted spaces or outdoors. This helium leak detector is dry and can be operated in any position, which considerably enhances its flexibility.

Besides its voice synthesizer and remote control features, this unit has a sniffer probe with a 5 m long tube. Longer tubes can also, of course, be supplied on request. The leak detector has an interior storage box which can accommodate the unit's entire accessories.

Customer benefit

- The perfect unit for maintenance of pressurized systems
- Portable sniffer leak detector, only 18 kg
- Easy operation
- Various languages and operating voltages available for global use
- A specific hand-held sniffing remote control is delivered with the leak detector; the cable length is to be selected in the order matrix
- Sniffer probe with 5 m hose length and rigid 9 cm nozzle (order number SNC1E1T1) is delivered with the leak detector



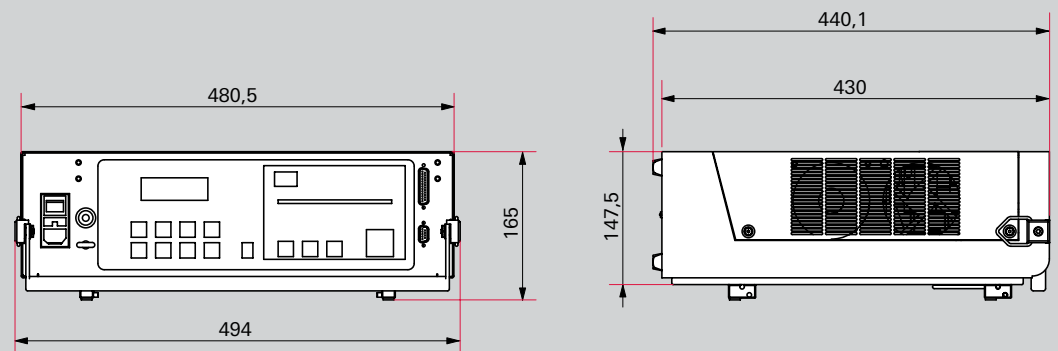
Applications

- Laser with helium as working gas
- Aeronautics and aerospace engineering (fuel)
- Underground cables and tubes
- Gasline installations in semiconductor fabs

SNIFFER LEAK DETECTOR – ASM 102 S

Portable sniffer leak detector for locating even the smallest leaks quickly and accurately

Dimensions



Dimensions in mm

Technical data

	ASM 102 S
Test method	Sniffing leak detection
Detectable gases	^4He
Minimum detectable leak rate for He (sniffing leak detection)	$1 \cdot 10^{-8} \text{ Pa m}^3/\text{s}$
Measurement range	$1 \cdot 10^{-8}$ to $1 \cdot 10^{-1} \text{ Pa m}^3/\text{s}$ helium (0.1 ppm to 100% helium)
Noise level	56 dB (A)
Supply	200–240 V; 50/60 Hz
Power consumption max.	100 W
Start-up time (20°C) without calibration	1.5 min
I/O interfaces	Digital inputs (start sniffer, calibration (on external leak), zero); digital outputs (sniffing test in progress, helium signal above sniffer reject setpoint, default...); analog outputs (mantissa, exponent)
Interface	RS-232
Operating temperature	0–45 °C
Weight	18 kg

Order number matrix
ASM 102 S

Leak detector	a
ASM 102 S	Z

Detectable gases	b
Helium (⁴ He)	0
3 masses (⁴ He, ³ He, H ₂)	3

Remote control cable length	c
5 m	2
10 m	4
15 m	5

Measurement unit	d
mbar l/s	M
Torr l/s	T
Pa m ³ /s	P

Language	e
French	A
English	B
German	C
Spanish	F

Supply	f
100–130 V; 50/60 Hz	7
220–240 V; 50/60 Hz	8

Cable length and plug type	g
USA/Japan	1
France/Germany	2
UK	3
Italy	4
Switzerland	5
Without plug	7

Order number
a b 0000 c d e f g 0

